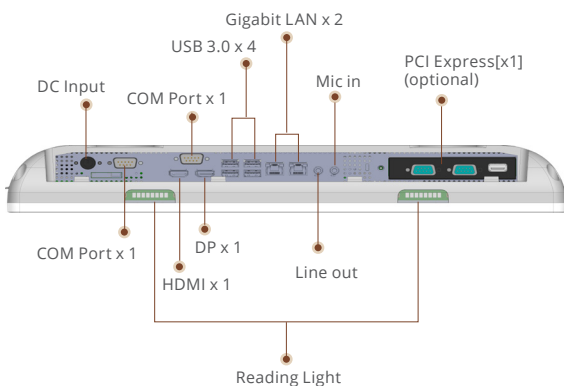
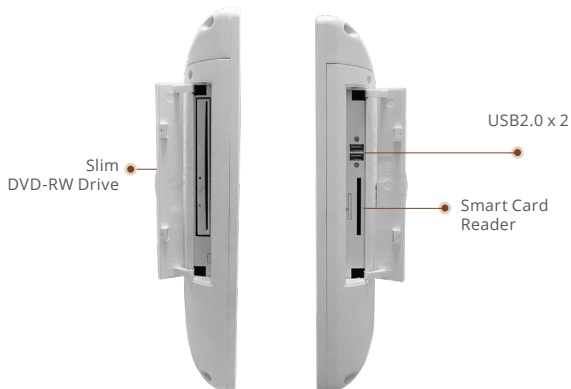
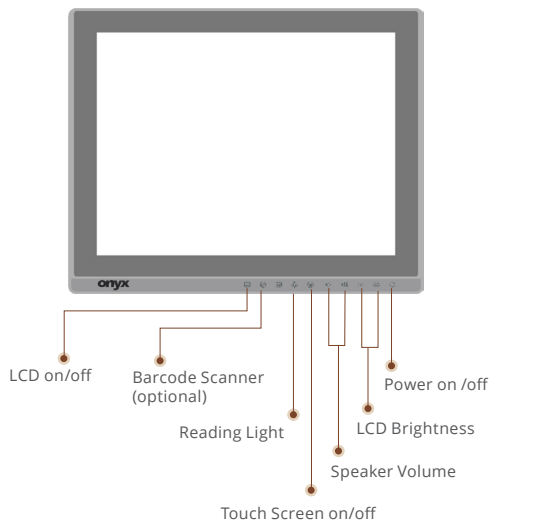


## Medical AIO Solution

# MATE-1903

19" Fanless Core i7 Medical AIO



## Features

- Intel® 6th Generation Core™ i7/ i5 / i3 Processor
- Intel® H110 Chipset
- Supports Dual Channel DDR4 2133 SODIMM up to 32GB
- 19" SXGA LCD with LED Backlight
- 5-Wire Resistive Touch Screen / Capacitive Multi-Touch Screen
- Two Gigabit Ethernet
- High Speed USB 3.0 Ports
- RS-232 x 2
- PCI-Express x [1] x 1 (optional)
- +12V DC Input

## Specifications

### Main Specifications

Processor	Intel® 6th Generation Core i7 / i5 / i3 Processor
System Memory	Supports Dual Channel DDR4 2133 SODIMM up to 32GB
Chipset	Intel® H110
OS Support	Windows® 7, Windows® 10, Linux®
Storage Disk Drive	2.5" SATA Hard Disk Drive/SSD x 1 Slim DVD-RW Drive x 1 (optional)
Security	Trusted Platform Module, RFID Reader (optional) Smart Card Reader x 1 (optional)
Wireless Communication	802.11ac/a/b/g/n(optional), Bluetooth 3.0HS & 4.0 (optional)
Speaker	5W x 2
Function Key	Speaker Volume Up/Down, LCD Brightness Up/Down LCD On/Off, Touch Screen On/Off, Reading Light On/Off
Power Requirement	DC 12V

### Display

Size / Type	19" TN LCD
Max. Resolution	1280 x 1024
Luminance(cd/m2)(TYP)	250 nits
Viewing Angle	170°(H)/160°(V)
Contrast Ratio	1000:1
Back Light Life Time	30,000 Hours
Touch Screen	5-Wire Resistive / Capacitive Multi-Touch Screen

### I/O

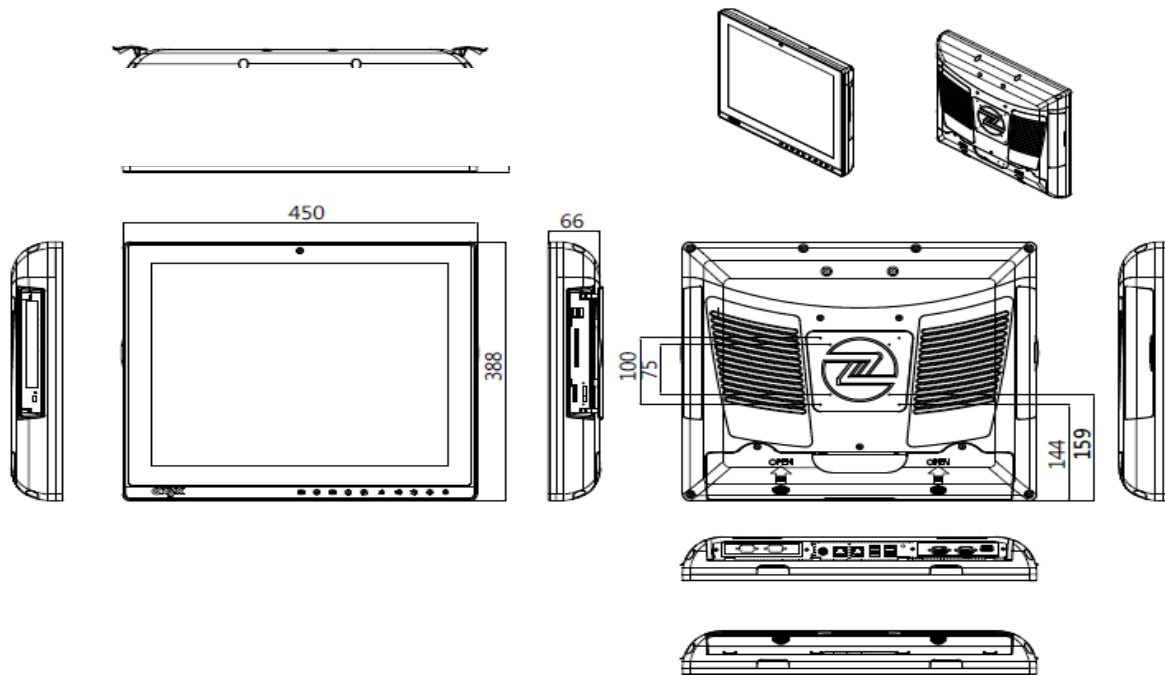
USB	USB 3.0 x 4, USB 2.0 x 2
Serial Port	RS-232 x 2
Ethernet	1.5KV Isolated Gigabit LAN x 2
Video Out	Display Port 1.2 x1, HDMI 1.4 x 1 (Supports resolution up to 3840 x 2160)
Audio	Mic-in, Line-out

### Mechanical and Environmental

Operating Temperature	0°C ~ 35°C(32°F ~ 95°F)
Storage Temperature	-20°C ~ 60°C(-4°F ~ 140°F)
Mounting VESA	75/100 mm
Degree of Protection	IP65 in the front ; IP54 in the back
Dimension	450 x 388 x 66 mm
Package Size	640 x 220 x 520mm
Gross Weight	11 kg (24.25 lb)
Net Weight	7.5kg (16.53lb)
Certifications	CE: EN 60601-1-2:2015(V4.0), EN 60601-1:2006/A1:2013(V3.1) FCC: Part 18 Class B UL: ANSI/AAMI ES60601-1:2012 (V3.1) cUL: CAN/CSA-C22.2 No. 60601-1:2014 (V3.1)

## 19" Fanless i7 Medical AIO

## Dimension / Unit: mm



## Ordering Information

- » MATE-1903ST-A1-1010  
Medical Panel PC, 19" LCD, i7, 4GB RAM, DC 12V, Capacitive Touch
- » MATE-1903ST-A2-1010  
Medical Panel PC, 19" LCD, i5, 4GB RAM, DC 12V, Capacitive Touch
- » MATE-1903ST-A3-1010  
Medical Panel PC, 19" LCD, i3, 4GB RAM, DC 12V, Capacitive Touch
- » MATE-1903ET-A1-1010  
Medical Panel PC, 19" LCD, i7, 4GB RAM, DC 12V, Resistive Touch
- » MATE-1903ET-A2-1010  
Medical Panel PC, 19" LCD, i5, 4GB RAM, DC 12V, Resistive Touch
- » MATE-1903ET-A3-1010  
Medical Panel PC, 19" LCD, i3, 4GB RAM, DC 12V, Resistive Touch

## Optional Accessories

- » 1255301204  
Medical Power Adapter, 120W, 12V
- » OPM-T006-A2  
Smart Card Reader Kit
- » OPM-T013-A2  
Slim Slot-in DVD-RW Drive
- » OPM-C16W-A6  
WLAN Kit, IEEE 802.11a/b/g/n + Bluetooth 4.0
- » OPM-R03X-A1  
PCI Express[x1] Riser Kit
- » OPM-S07R-A1  
RFID Reader Kit
- » OPM-C02C-A1  
Two Isolated RS-232 & One Isolated USB 2.0 PCIe Card
- » OPM-C02C-A2  
Two Isolated RS-232 PCIe Card
- » OPM-C03C-A1  
One Isolated Gigabit LAN & One Isolated RS-232 & One Isolated USB 2.0 PCIe Card
- » OPM-T017-A4  
Hot Swap Rack w/Lock Kit for 2.5" HDD/SSD