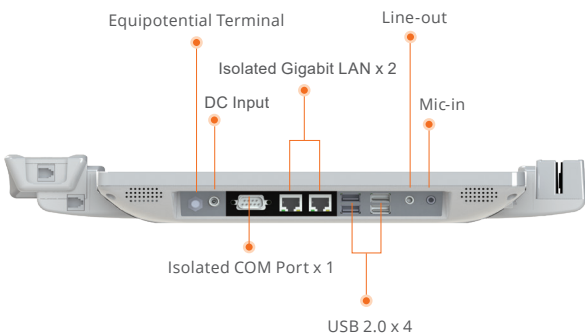
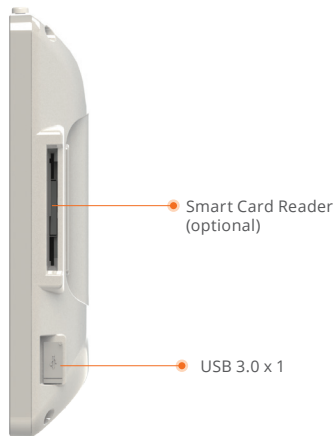
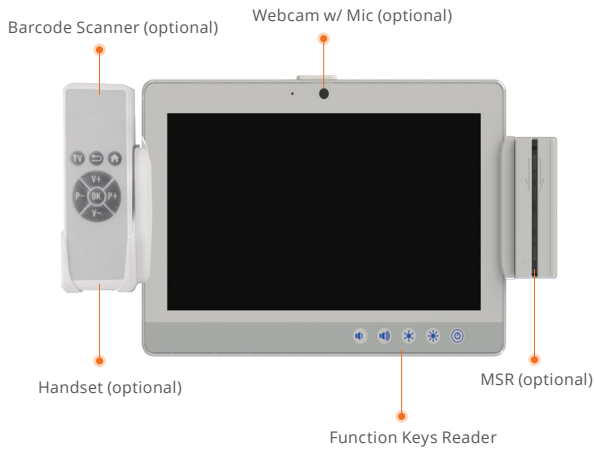


Healthcare Infotainment Solution

ONYX-1222

11.6" Fanless Bedside Infotainment Touch Terminal



Features

- Intel® Celeron J1900 2.42GHz Quad Core Processor
- 11.6" High Brightness 400-nit WXGA LCD
- Supports DDR3 SODIMM up to 8GB
- 5-wire Resistive Touch Screen / Capacitive Multi-Touch Screen
- Easy Cleaning Flat Screen
- 5 Programmable Smart Function Keys
- COM/LAN Medical Isolation
- High Speed USB 3.0 Port
- 2.0M Pixels Camera (optional)
- Handset w/2D Barcode Scanner (optional)
- Trusted Platform Module / Smart Card Reader(optional) / MSR(optional) / RFID (optional)

Specifications

Main Specifications

| | |
|------------------------|--|
| Processor | Intel® Celeron J1900 Quad Core 2.42GHz |
| System Memory | Supports DDR3 SODIMM up to 8GB |
| Expansion Interface | Mini Card x 2 |
| Storage Disk Drive | 2.5" SATA Hard Disk Drive/SSD x 1 |
| Security | Trusted Platform Module, Smart Card Reader (optional), MSR (optional), RFID (optional) |
| Wireless Communication | 802.11a/b/g/n(optional), Bluetooth 4.0 (optional) |
| Speaker | 1W x 2 |
| Function Key | Speaker Volume Up/Down, LCD Brightness Up/Down |
| Power Requirement | DC 12~24V / Power over Ethernet |
| OS Support | Windows 7, Windows 10, Linux |

Display

| | |
|-----------------------|---|
| Size / Type | 11.6" LCD |
| Max. Resolution | 1366 x 768 |
| Luminance(cd/m2)(TYP) | 220 nits |
| Max. Colors | 16.7 M |
| Viewing Angle | 170°(H)/170°(V) |
| Contrast Ratio | 800:1 |
| Back Light Life Time | > 15,000 hours |
| Touch Screen | 5-Wire Resistive / Capacitive Multi-Touch |

I/O

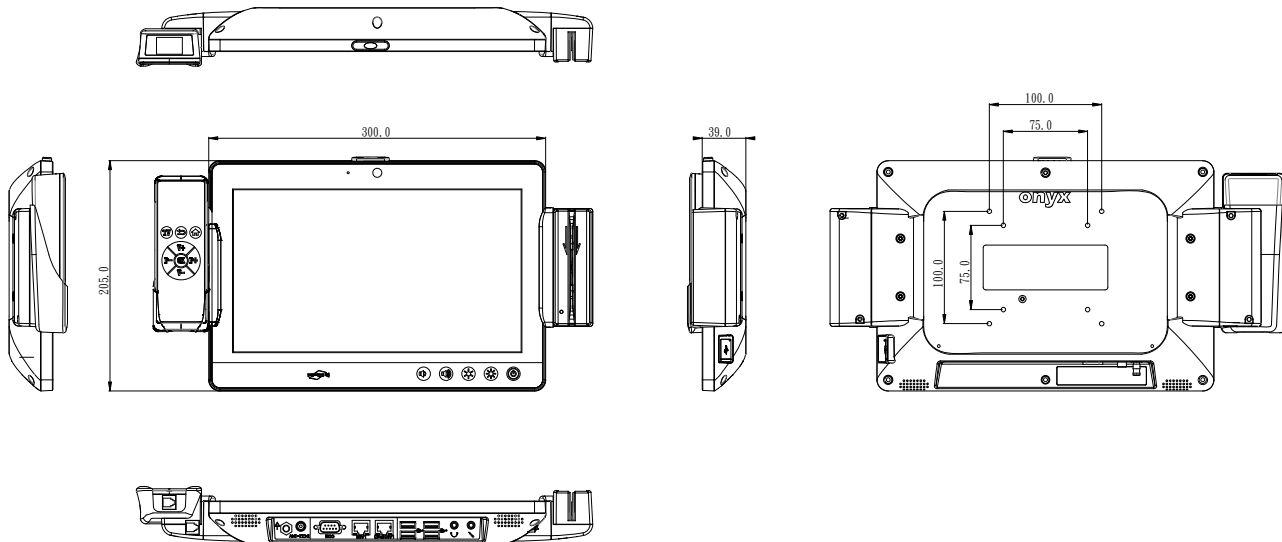
| | |
|-------------|--|
| USB | USB 2.0 x 4, USB 3.0 x 1 (in side I/O) |
| Serial Port | Isolated RS-232 x 1 |
| Ethernet | Isolated Gigabit LAN x 2 |
| Audio | Mic-in, Line-out |

Mechanical and Environmental

| | |
|-----------------------|---|
| Power Consumption | Full Loading :22Watts |
| Operating Temperature | 0°C ~ 40°C(32°F ~ 104°F) |
| Storage Temperature | -20°C ~ 60°C(-4°F ~ 140°F) |
| Mounting | VESA 75/100 mm |
| Degree of Protection | IP65 in the front, IPX1 |
| Dimension | 300 x 208 x 39 mm |
| Package Size | 540 x 230 x 370 mm |
| Gross Weight | 4kg (8.82lb) |
| Net Weight | 1.5kg (3.3lb) |
| Certifications | CE: EN 60601-1-2:2015(V4.0), EN 60601-1:2006/A1:2013(V3.1) FCC: Part 18 Class B UL: ANSI/AAMI ES60601-1:2012 (V3.1) cUL: CAN/CSA-C22.2 No. 60601-1:2014 (V3.1) |

11.6" Fanless Bedside Infotainment Touch Terminal

Dimension / Unit: mm



Ordering Information

- » ONYX-1222ET-A1-1110
Slim Medical Panel PC, 11.6" LCD, Intel Celeron J1900, 2GB RAM, DC 12~24V, Resistive Touch
- » ONYX-1222ST-A1-1110
Slim Medical Panel PC, 11.6" LCD, Intel Celeron J1900, 2GB RAM, DC 12~24V, Capacitive Touch

Optional Accessories

- » 1757306039
Medical Power Adapter, 60W, 12V
- » OPM-T010-A1
Smart Card Reader Kit
- » OPM-S02C-A2
Magnetic Stripe Reader Kit
- » OPM-T011-A1
2M Pixels Camera with Mic Kit
- » OPM-T018-A3
Handset Kit
- » OPM-T018-A4
Handset w/Dual-Keypads, Camera
- » OPM-C16W-A4
WLAN Kit, IEEE 802.11a/b/g/n + Bluetooth 4.0LE/ 3.0HS / 2.1 EDR
- » OPM-P30D-A10
Power over Ethernet kit