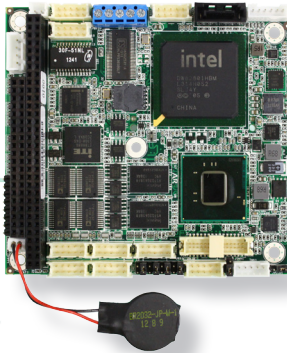


Em104-i290K

Intel® Atom™ Processor N455 PC/104 SBC



Features

- **Fanless Design**
- Soldered Onboard Intel® Atom™ Processor N455
- Dual Gigabit Ethernet Ports
- Single Channel 18-bit LVDS and Analog RGB
- Four Full RS-232/485 selectable (RS-485 with Auto Flow Control)
- **Extended Operating Temp.: -20 ~ 70°C**

System

Processor	Soldered onboard Intel® Atom™ Processor N455 1.66GHz
Chipset	Intel® ICH8M
Memory	Soldered onboard 1GB DDR3 SDRAM
BIOS	AMI BIOS
Watchdog Timer	1 ~ 255 levels reset

I/O

Super IO chipset	Fintek F81866
Serial Port	4 x RS-232/485 selectable
Keyboard & Mouse	6-pin wafer connector for keyboard and mouse
USB 2.0	2 x USB 2.0 ports
Expansion	PC/104 interface
Storage	1 x Serial ATA port with 300MB/s HDD transfer rate 1 x CompactFlash Type II socket
Ethernet Chipset	2 x Intel® 82583V PCIe GbE controllers

Display

Graphic Chipset	Integrated Intel® GMA 3150
Graphic Interface	Analog RGB/DVI: Analog RGB, with resolution up to 2048x1536 LCD: Single Channel 18-bit LVDS, with resolution up to 1366x768

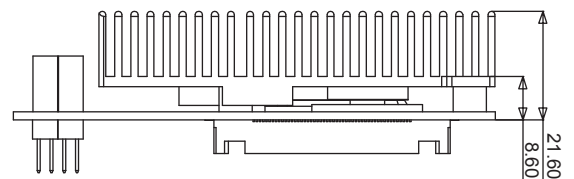
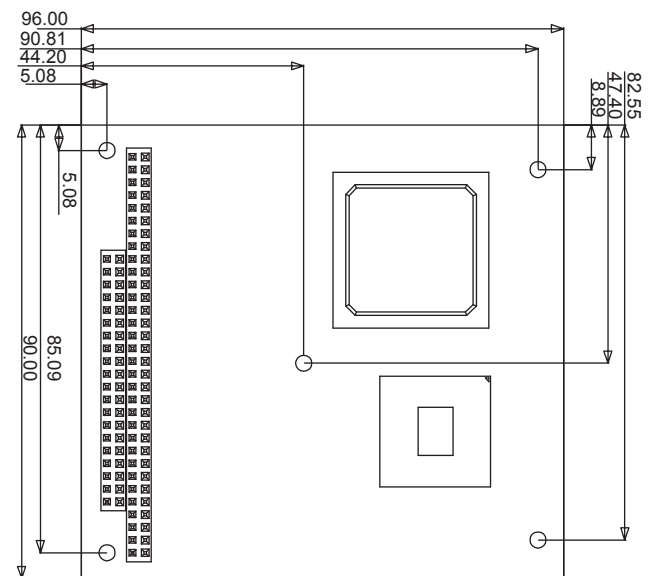
OS Support

Windows 2000 32-bit
Windows XP 32-bit

Mechanical & Environmental

Power Requirement	DC 5V, (+12V for LCD panel)
Power Consumption	2.4A@5V (Typical)
Operating Temp.	-20 ~ 70°C (-4 ~ 158°F)
Operating Humidity	10%~95% @ 70°C (non-condensing)
Dimension (L x W)	95.89 x 90.17 mm (3.775" x 3.549")

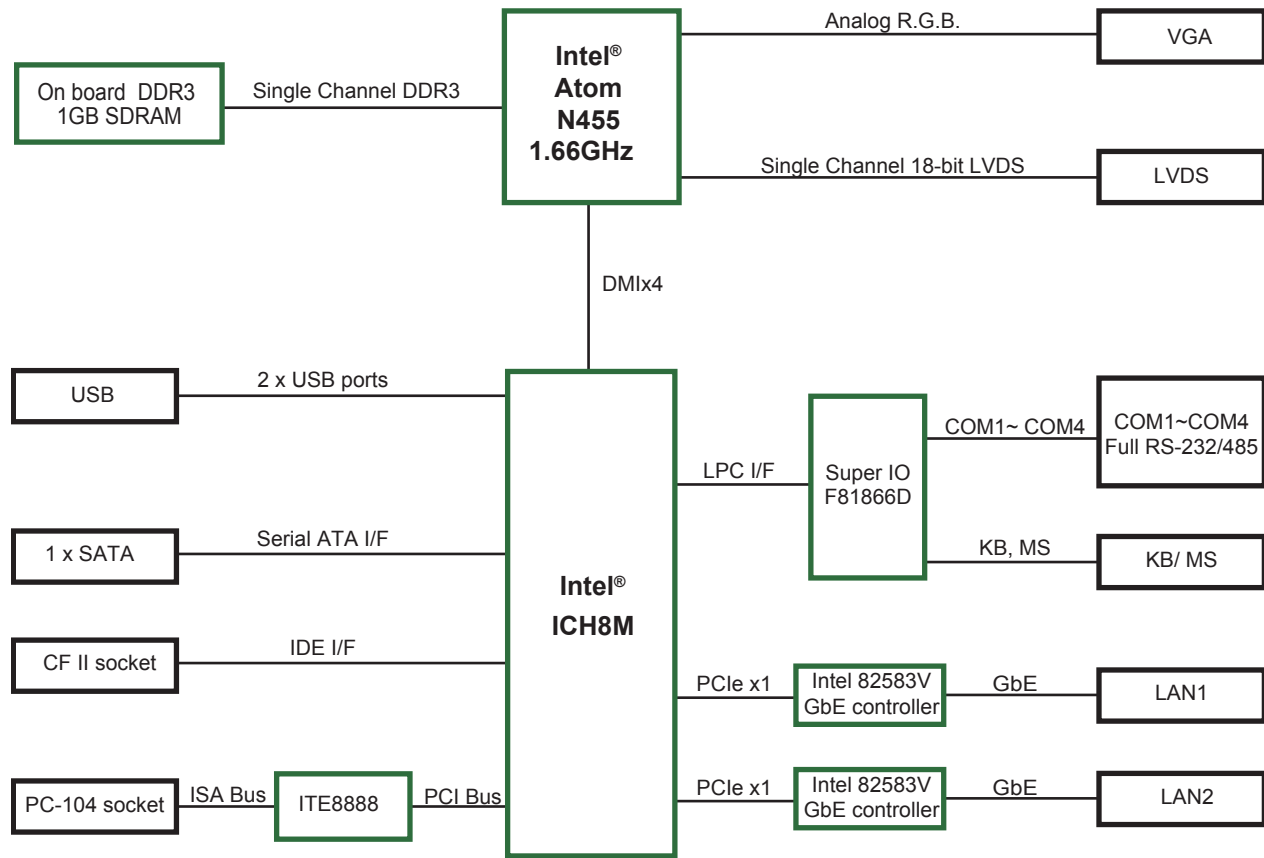
Dimensions



Unit: mm



Block Diagram



Ordering Information

Em104-i290K-N4 Intel® Atom™ Processor N455/ ICH8M PC/104 CPU module

Optional Accessories

CBK-11-290K-00
 Cable kit
 1 x SATA cable
 1 x SATA Power cable
 4 x Serial port cables
 1 x KB & MS Y-cable
 1 x USB cable
 1 x VGA cable
 2 x LAN cables