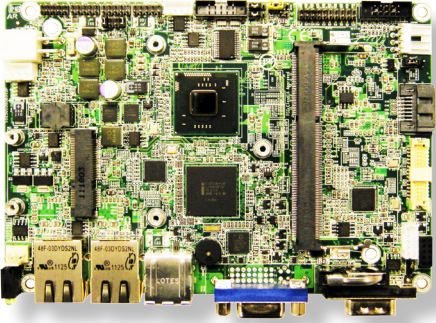


# EmCORE-i2501

Intel® Atom™ Processor N2600/ D2550 3.5" Compact Board



## Features

- Soldered onboard Intel® Atom™ Processor N2600 or D2550
- Single Channel 18/24-bit LVDS and DVI-I Port supported
- RS-485 Auto-flow Control supported
- **Extended Operating Temp.: -20 ~ 70°C**

## System

Processor	Soldered onboard Intel® Atom™ Processor N2600 1.6GHz/ D2550 1.86GHz
Chipset	Intel® PCH NM10
Memory	1 x DDR3 SO-DIMM socket, supporting up to 4GB 1066MHz SDRAM
BIOS	AMI BIOS
Watchdog Timer	1~255 levels reset

## I/O

Super IO Chipset	Fintek F81866
Serial Port	1 x RS-232 1 x RS-232/422/485 selectable
Keyboard & Mouse	USB interface Keyboard/ Mouse
USB 2.0	6 x USB 2.0 ports
Expansion	1 x Mini-Card Socket
Storage	1 x Serial ATA ports with 300MB/s HDD transfer rate 1 x CFast socket (EmCORE-i2501 series) or 8GB NANDrive (EmCORE-i2501D series)
Ethernet Chipset	2 x Intel® 82583V PCIe GbE controllers
Digital I/O	8-bit Programmable
Audio Interface	Realtek® ALC662 5.1 Channel HD Audio CODEC, Mic-in/ Line-in/ Line-out

## Display

Graphic Chipset	Integrated Intel® GMA 3650 (D2550)/ GMA 3600 (N2600)
Graphic Interface	DVI-I: Analog RGB with resolution up to 1920x1200 LVDS: Single Channel 24-bit LVDS (D2550) Single Channel 18-bit LVDS (N2600)

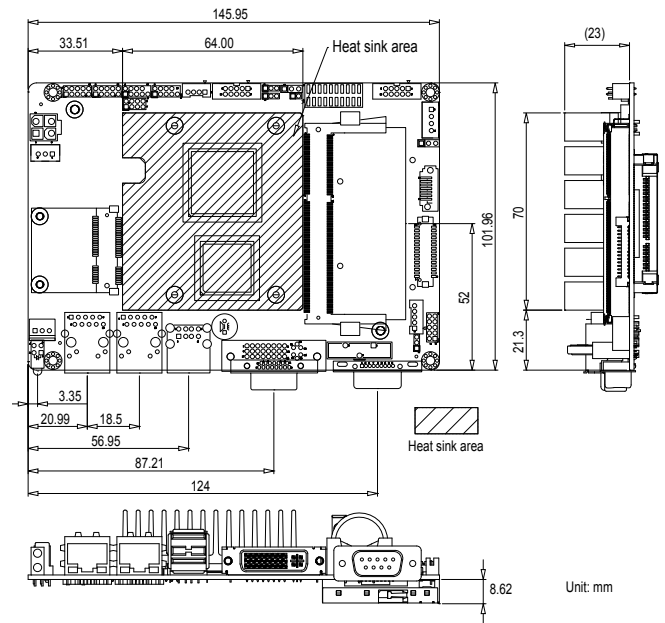
## OS Support

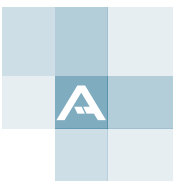
Windows 7

## Mechanical & Environmental

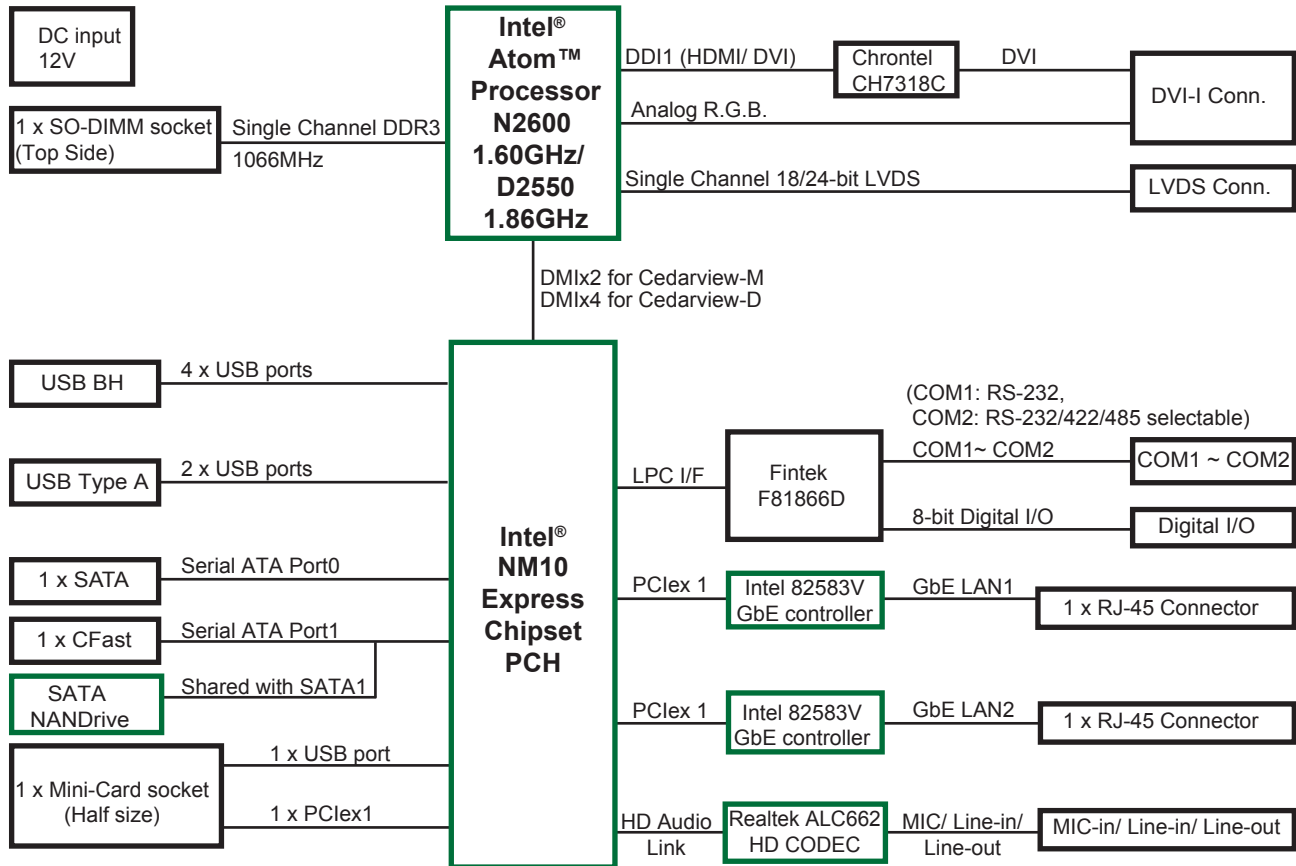
Power Input	DC 12V
Power Consumption	1.26A@+12V with N2600 (Typical) 1.42A@+12V with D2550 (Typical)
Operating Temp.	-20 ~ 70°C (-4 ~ 158°F)
Operating Humidity	10 ~ 95% @ 70°C (non-condensing)
Dimension (L x W)	146 x 102 mm (5.7" x 4.0")

## Dimensions





## Block Diagram



## Ordering Information

EmCORE-i2501-N26	Intel® Atom™ Processor N2600/ NM10 3.5" compact board
EmCORE-i2501-D25	Intel® Atom™ Processor D2550/ NM10 3.5" compact board
EmCORE-i2501D-N26 (OEM request)	Intel® Atom™ Processor N2600/ NM10 3.5" compact board with 8GB NANDrive soldered on board
EmCORE-i2501D-D25 (OEM request)	Intel® Atom™ Processor D2550/ NM10 3.5" compact board with 8GB NANDrive soldered on board

## Optional Accessories

CBK-06-2501-00	Cable Kit 1 x Serial port cable 1 x Audio cable 2 x USB cables 1 x SATA cable 1 x SATA power cable
----------------	---