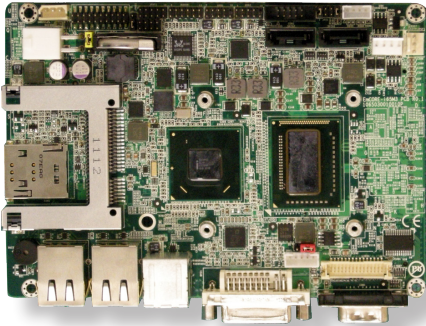


# EmCORE-i65M3

Intel® Celeron® Processor 827E 3.5" Compact Board



## Features

- Soldered onboard Intel® Celeron® Processor 827E
- Dual Gigabit Ethernet Ports
- Dual-Channel 24-bit LVDS, and DVI-I
- Dual Independent Displays supported
- RS-485 Auto-flow Control supported
- Integrated SIM Socket for mobile telecommunication
- **Extended Operating Temp.: -20 ~ 70°C**

## System

Processor	Soldered onboard Intel® Celeron® Processor 827E 1.4GHz
Chipset	Intel® PCH HM65
Memory	1 x DDR3 SO-DIMM socket, supporting up to 8GB 1066MT/s SDRAM
BIOS	AMI BIOS
Watchdog Timer	1~255 levels reset

## I/O

Super IO Chipset	Fintek F71869ED
Serial Port	1 x RS-232 (extra 4 x RS-232 via SCDB-1293) 1 x RS-232/422/485 selectable
Keyboard & Mouse	USB interface Keyboard/ Mouse
USB 2.0	6 x USB 2.0 ports 1 x Mini-Card Socket
Expansion	LPC (Low Pin Count) 1 x SIM socket

Storage	2 x Serial ATA ports with 600MB/s HDD transfer rate 1 x CFast socket
---------	---

Ethernet Chipset	2 x Intel® 82583V PCIe GbE controllers
Digital I/O	16-bit Programmable by SCDB-349R
Audio Interface	Realtek® ALC662 5.1 Channel HD Audio CODEC, Mic-in/ Line-in/ Line-out

## Display

Graphic Chipset	Integrated Intel® HD Graphics 3000
Graphic Interface	DVI-I: Analog RGB with resolution up to 2048x1536 or TMDS with resolution up to 1920x1200 LVDS: Dual Channels 24-bit LVDS

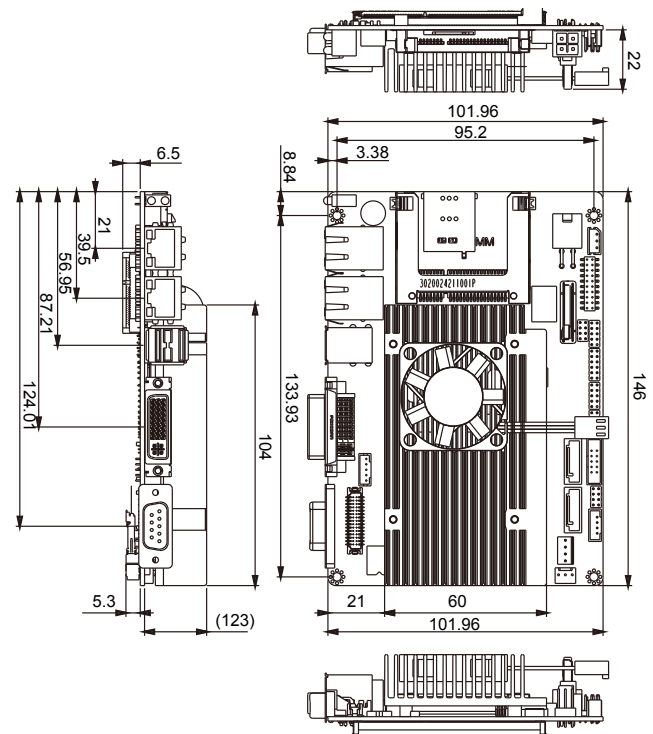
## OS Support

Windows XP 32/64-bit  
Windows 7 32/64-bit  
Linux: Ubuntu

## Mechanical & Environmental

Power Input	DC 12V
Power Consumption	3.4A@+12V (Typical)
Operating Temp.	-20 ~ 70°C (-4 ~ 158°F)
Operating Humidity	10 ~ 95% @ 70°C (non-condensing)
Dimension (L x W)	146 x 102 mm (5.7" x 4.0")

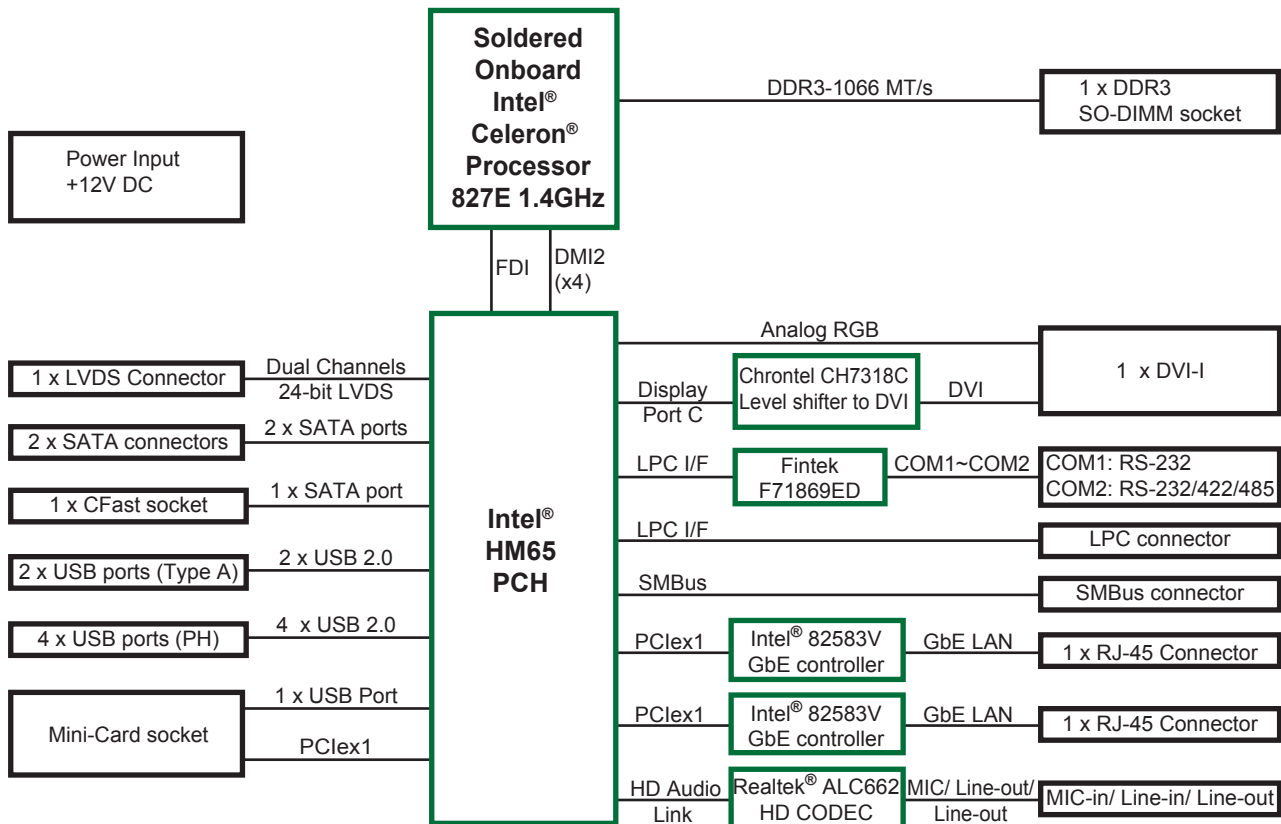
## Dimensions



Unit: mm



## Block Diagram



## Ordering Information

EmCORE-i65M3-827E Intel® Celeron® 827E/ HM65 3.5" compact board

## Optional Accessories

FCDB-1293 4 x Serial ports, 8-bit digital input/ output daughter board

FCDB-349R 16-bit digital input/ output daughter board

CBK-06-65M3-00 Cable kit  
 2 x SATA cables  
 1 x Audio cable  
 1 x Serial port cable  
 2 x USB cables