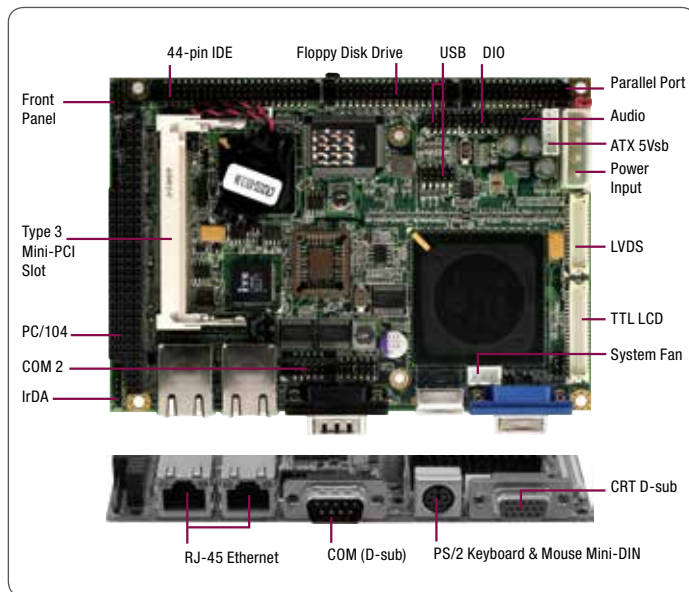


GENE-5315 Rev. A

3.5" SubCompact Board With AMD Geode™ LX Series Processor



Features

- Onboard AMD Geode™ LX800 Processor
- AMD Geode™ LX + CS5536
- DDR 333 MHz SODIMM, Up to 1 GB or DDR 400 MHz SODIMM, Up to 512 MB
- 10/100Base-TX Ethernet x 2, RJ-45 x 2
- Up to 24-bit Single Channel LVDS/ TTL LCD & CRT
- AC97 Codec 2CH Audio
- EIDE x 1, Floppy Disk Drive x 1, CompactFlash™ x 1
- COM x 2, Parallel x 1, USB2.0 x 4, 8-bit Digital I/O
- Mini-PCI And PC/104 Expansions
- +5V Only Operation

Specifications

System	
Form Factor	3.5"
Processor	Onboard AMD Geode™ LX800 processor
System Memory	200-pin DDR 333/400 MHz SODIMM x 1, up to 1 GB for DDR333 and 512 MB for DDR 400
Chipset	AMD Geode™ LX + AMD CS5536
I/O Chipset	ITE IT8712 + IT8888G
Ethernet	Realtek RTL8139DL, 10/100Base-TX, RJ-45 x 2
BIOS	Award 512 KB Flash ROM
Wake On LAN	Yes
Watchdog Timer	Generates a time-out system reset
H/W Status Monitoring	Supports power supply voltages and temperature monitoring
Expansion Interface	Mini-PCI x 1, PC/104 x 1
Battery	Lithium battery
Power Requirement	+5V, AT/ATX
Power Consumption (Typical)	LX800 500 MHz, DDR333 1 GB +5V@1.17A
Board Size	5.75" (L) x 4" (W) (146mm x 101.6mm)
Gross Weight	0.88 lb (0.4 kg)
Operating Temperature	32°F ~ 140°F (0°C ~ 60°C)
Storage Temperature	-40°F ~ 176°F (-40°C ~ 80°C)
Operating Humidity	0% ~ 90% relative humidity, non-condensing
MTBF (Hours)	90,000
Display	
Supports CRT/LCD Simultaneous display	
Chipset	AMD Geode™ LX Integrated
Memory	Shared system memory up to 254 MB
Resolutions	Up to 1920 x 1440 @ 24bpp for CRT Up to 1600 x 1200 @ 24bpp for LCD
LCD Interface	Up to 24-bit single channel TTL/LVDS
I/O	
Storage	EIDE x 1 (UDMA 33 for two devices), Type 2 CompactFlash™ x 1, Floppy Disk Drive x 1
Serial Port	RS-232 x 1, RS-232/422/485 (auto flow) x 1
Parallel Port	SPP/ EPP/ ECP mode
USB	USB2.0 x 4
PS/2 Port	Keyboard x 1, Mouse x 1
Digital I/O	Supports 8-bit (Programmable)
IrDA	One IrDA Tx/Rx header
Audio	Mic-in, Line-in, Line-out, CD-in



Packing List

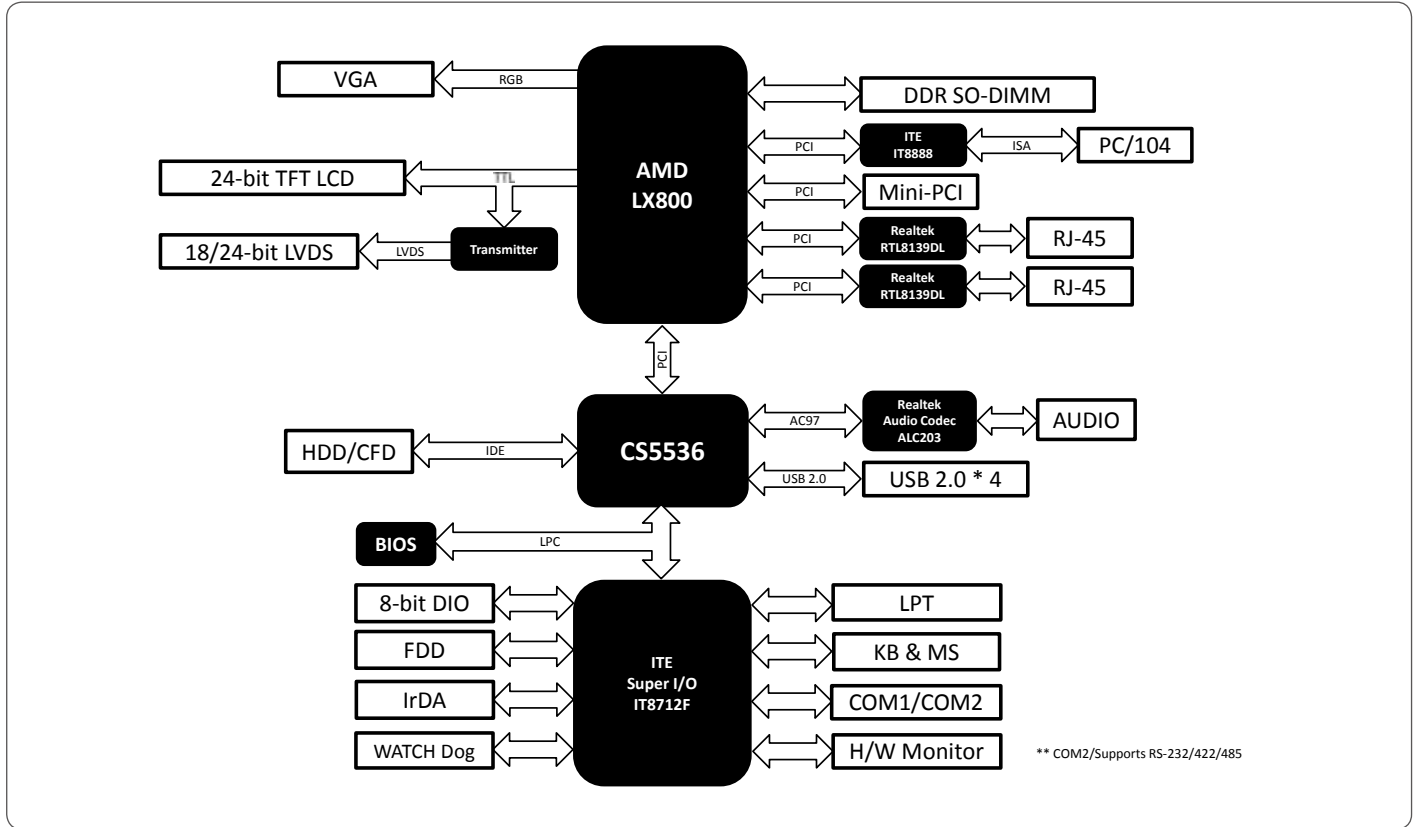
- **9681531501**
Cable Kit for GENE-5315
 - 1700060192 Keyboard & Mouse Cable
 - 1709100201 USB Cable
 - 1701440500 IDE Cable
- **9657666600**
Jumper Cap
- **Product CD**
- **GENE-5315 Rev. A**

Optional Accessories

- **1702200205**
Conversion Cable for ATX Power Supply, Length 20cm
- **1709140181**
Audio Cable, Length 18cm
- **1709100208**
USB Cable, Length 20cm
- **1701100206**
COM Port Cable, 9P DB Male, Length 20cm
- **1701260201**
Parallel Port Cable, Length 20 cm
- **1701340600**
Floppy Cable, Length 60 cm

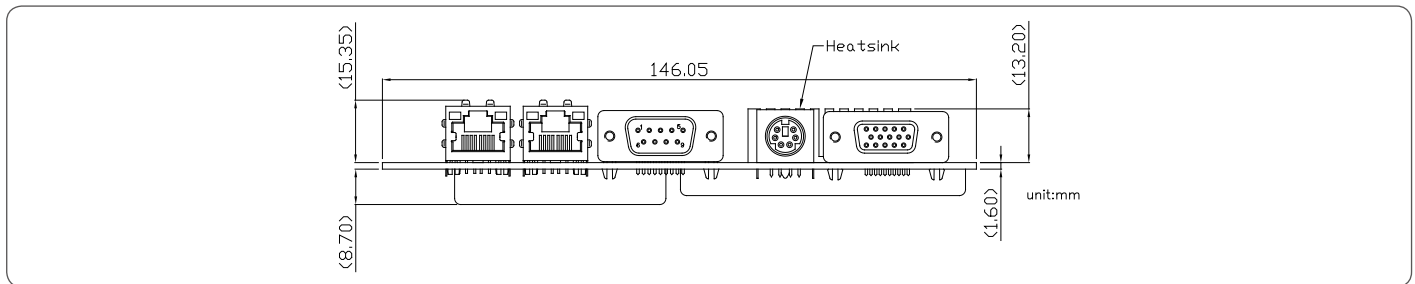
GENE-5315 Rev. A

Block Diagram



Dimension

Unit: mm



Ordering Information

Part Number	CPU	Fan/ Fanless	Display	LVDS	Storage	LAN	USB	RS-232	RS-232/422/485	Expansion Slot	Power	Power Temp	Others
TF-GENE-5315-A11	AMD Geode™ LX800	Fanless	CRT + LVDS CRT + TTL	24b,1CH	EIDE x 1 Floppy x 1 CompactFlash™ x 1	FE x 2	UBS2.0 x 4	1	1	Mini-PCI x 1 PC/104 x 1	+5V, AT/ATX	0°C ~ 60°C	DIO x 8
TF-GENE-5315-A11-01	AMD Geode™ LX800	Fanless	CRT + LVDS CRT + TTL	18b, 1CH	EIDE x 1 Floppy x 1 CompactFlash™ x 1	FE x 2	UBS2.0 x 4	1	1	Mini-PCI x 1 PC/104 x 1	+5V, AT/ATX	0°C ~ 60°C	DIO x 8