



Features

- Ultra slim (Height less than 30mm) with low power consumption design.
- High stability Box PC concept with wide temperature (-20~60 °C) support.
- Multiple I/O Port and wide range 9~36 V DC power input.
- Flexible & Easy Installation design

Specifications

System

Processor	Intel Atom Processor D2550 1.86GHz , L2 Cache 1MB
System Chipset	Intel NM10 Express Chipset
Outside I/O Port	2 x USB 2.0 type A 4 x USB 2.0 type A (optional) 2 x GbE LAN RJ-45 with Realtek RTL8111E 1 x RS-232 DB-9, COM2 1 x RS-232/422/485 DB-9, COM1 (Default RS-232) 1 x Audio Line Out 1 x HDMI Port (off hole, no silk printing, with cover) 1 x VGA 1 x 3-pin DC Power input terminal
System Memory	Onboard 2GB DDR III 800MHz, (4GB Option)
Storage	1 x SD card slot, up to 32GB (Easy Accessible) 1 x 1.8" SATA 2 (MO-297) (Accessible)
Power Input	9~36V DC
Power Consumption	Max:13.12W
Expansion Slots	1 x Internal Mini-PCle slot half size
OS Support	Windows Embedded standard 7, Windows 7 Pro for Embedded, WIN CE 6.0

Mechanical

Construction	Silver aluminum chassis
Color	RAL 9007
Mounting	Wall mount VESA 75 x 75, 100 x 100mm(Optional), Din-rail(option)
Dimension	246.2 mm x 139.8 mm x 29.2 mm
Net weight(kgs)	1.1

Environmental

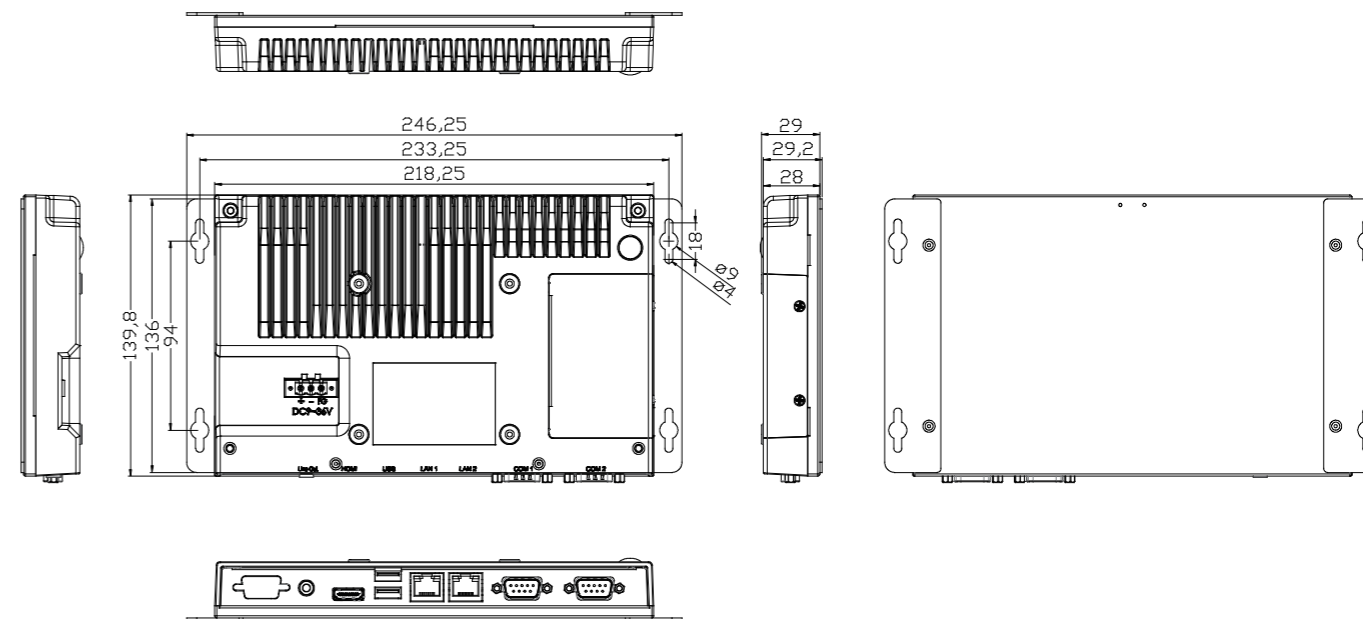
Operating Temperature	-20°C to 60°C
Storage Temperature	-40°C to 85°C
Storage Humidity	10~90% @40 °C non-condensing
Certificate	CE / FCC

Ordering information

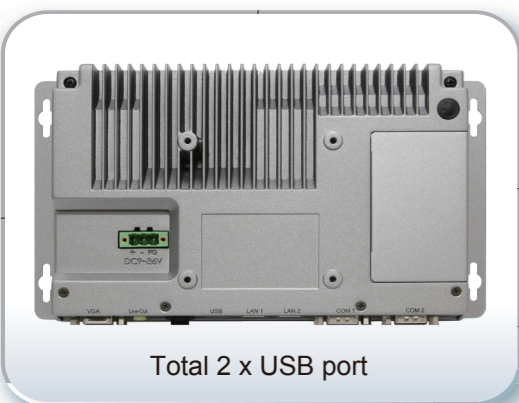
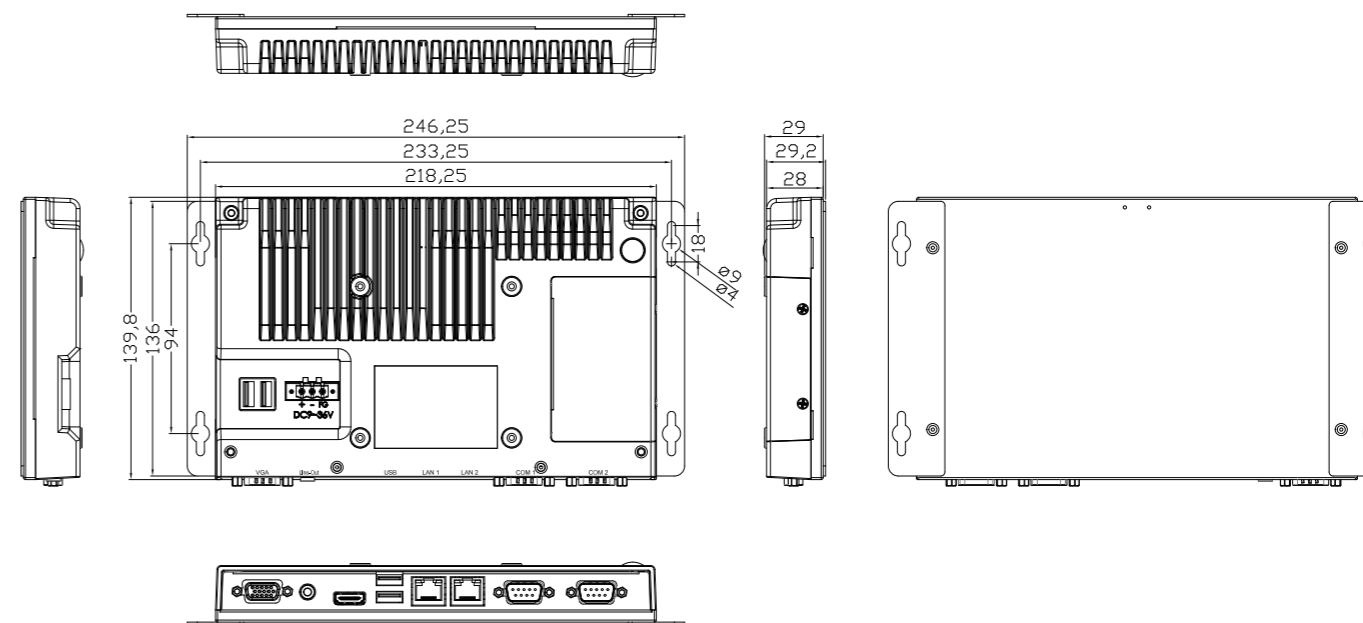
ACS-2160-08 (D2550, 2G RAM, 2xUSB)	Fanless Box PC, Intel D2550 1.8G, 2GB DDR3 RAM onboard, mini-PCle slot half size, 9~36 V DC power input with adaptor, Aluminum chassis, WT1, ultra slim
ACS-2160-23 (D2550, 4G RAM, 2xUSB)	Fanless Box PC, Intel D2550 1.8G, 4GB DDR3 RAM onboard, mini-PCle slot half size, 9~36 V DC power input with adaptor, Aluminum chassis, WT1, ultra slim
ACS-2160-29 (D2550, 2G RAM, 4xUSB)	Fanless Box PC, Intel D2550 1.8G, 2GB DDR3 RAM onboard, mini-PCle slot half size, with total 4 x USB port, 9~36 V DC power input with adaptor, Aluminum chassis, WT1, ultra slim

Dimensions

Total 2 x USB port



Total 4 x USB port



Total 2 x USB port



Total 4 x USB port