



Features

- Intel Celeron N2930(1.83GHz) Processor
- Fanless Design with wide temperature support (-20~60 °C)
- Onboard 2GB DDR III 800 MHz (4GB for option)
- Wide range 9~36V DC Power Input
- Ultra Slim Size, Thickness: 3.39 cm
- 1 x 2.5" SATAII HDD Space, Easy Accessible



Specifications

System	
Processor	Intel Celeron N2930 (1.83GHz) Processor
System Chipset	SoC
Outside I/O Port	3 x USB 2.0 type A 1 x USB 3.0 type A 2 x GbE LAN RJ-45 by Intel 82574L 1 x RS-232/422/485 DB-9, COM1 (Default RS-232) 1 x RS-232 DB-9, COM2 1 x Audio Jack 1 x VGA 1 x 3-pin DC Power input terminal 1 x 2-pin connector for power on/off button
System Memory	Onboard 2GB DDR III 800MHz, (4GB Option)
Storage	1 x SD card slot, up to 32GB 1 x 2.5" SATAII HDD bay (Easy Accessible)
Expansion Slots	1 x mini PCIe slot (full size)
OS Support	Windows Embedded 8.1 Industry Pro, Windows 7 Pro for Embedded, WES7, WE8S

Power	
Power Input	9~36V DC
Power Consumption	Max: 11.9W

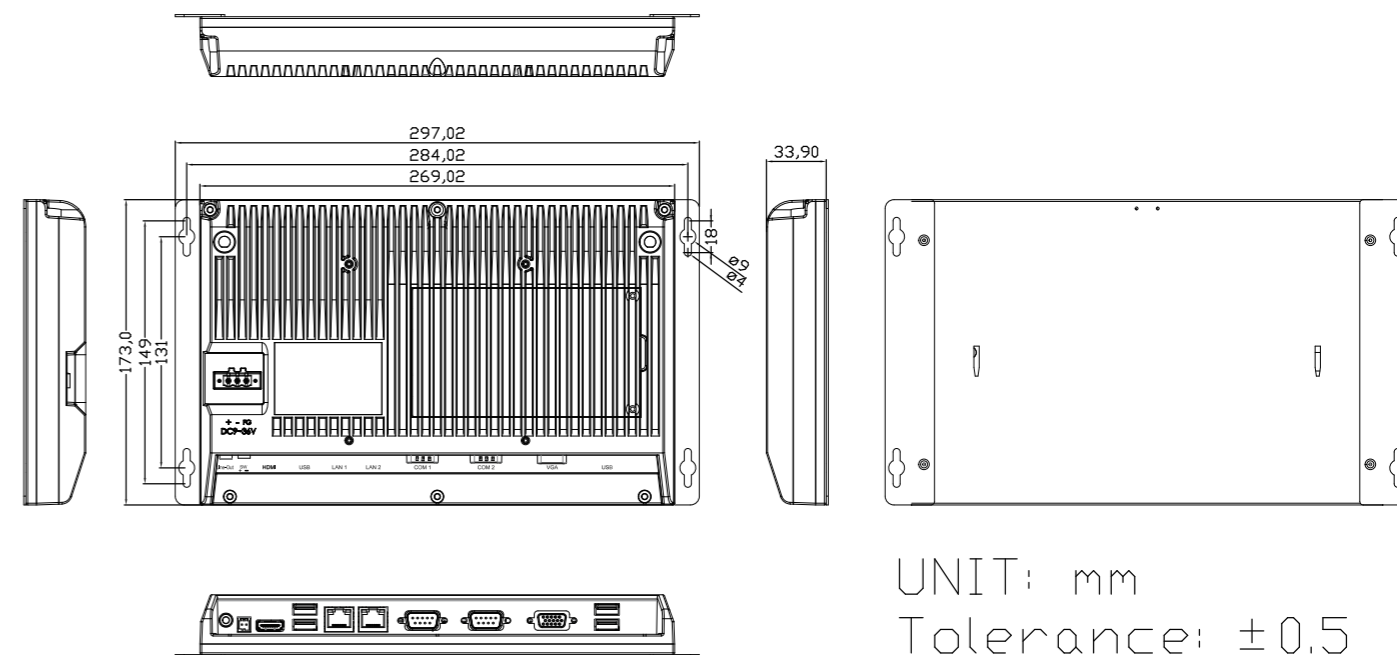
Mechanical	
Construction	Aluminum chassis
Color	RAL 9007
Mounting	Wall mount, VESA Mount 100 x 100
Dimension	297.02 x 173 x 33.9 mm
Net weight(kgs)	1.6 Kg

Environmental	
Operating Temperature	-20°C to 60°C
Storage Temperature	-40°C to 85°C
Storage Humidity	10~90% @40 °C non-condensing
Certificate	CE / FCC

Ordering information	
ACS-2170-01	Fanless Box PC, Intel Celeron N2930 1.8G processor, 2GB DDR3L Memory, 16GB MLC SSD, mini PCIe slot(full size), 9~36V DC input with adaptor

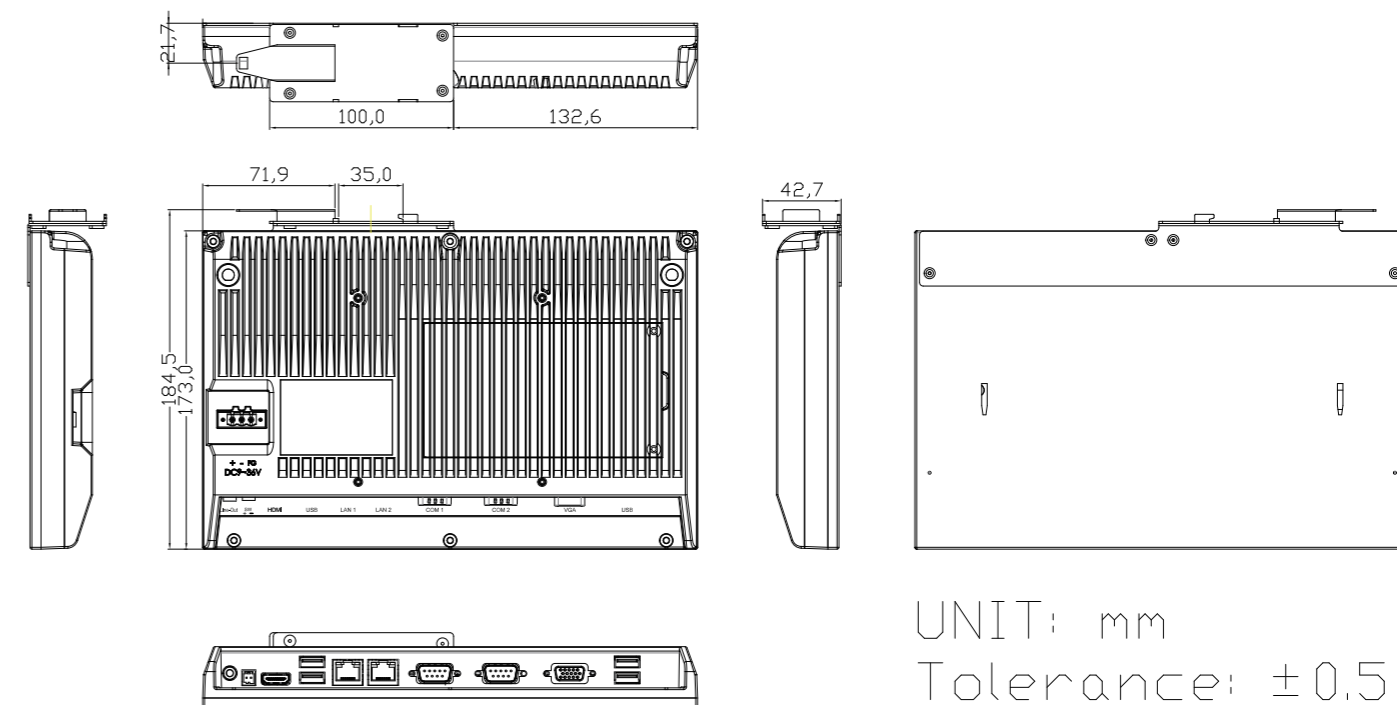
Dimensions

Standard



UNIT: mm
Tolerance: ±0.5

Din Rail



UNIT: mm
Tolerance: ±0.5