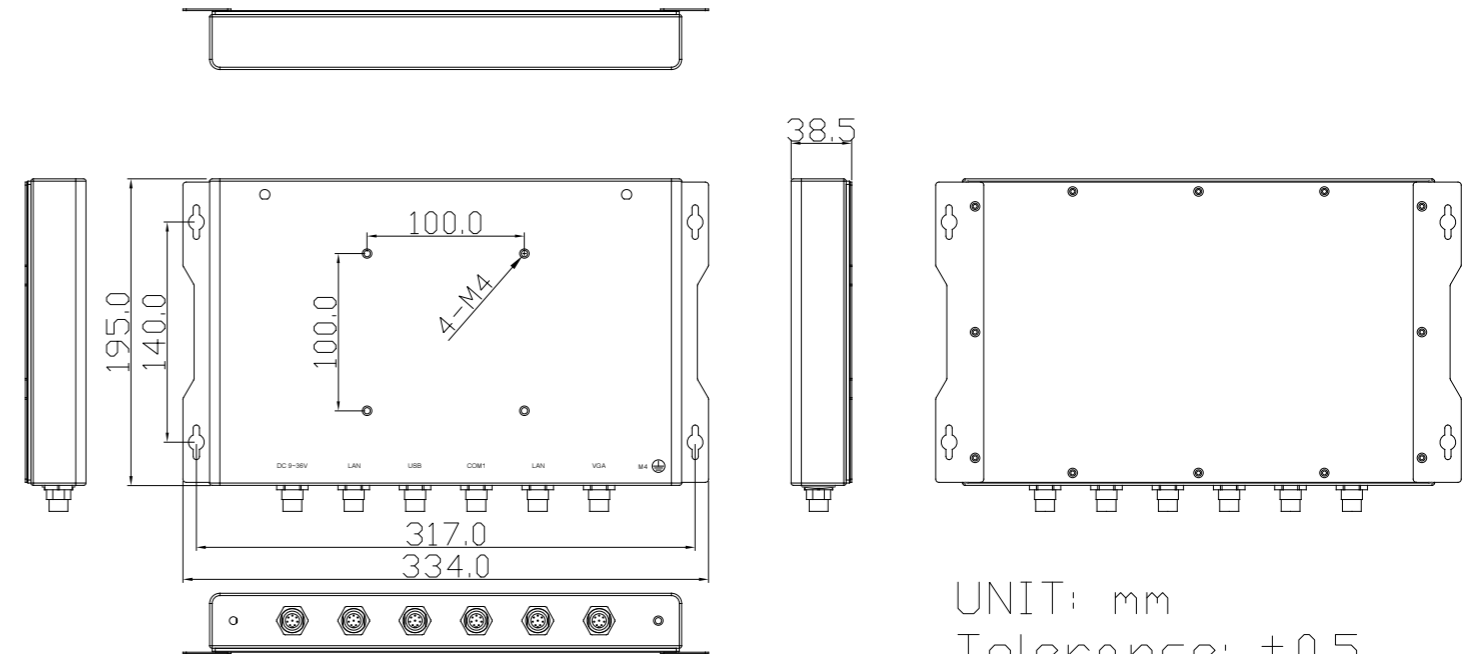


### Features

- Intel Celeron N2930 Processor
- SUS 316 Stainless Steel
- Total IP66 Grade with M12 Waterproof Connector
- Variety of IO applications
- WLAN for Option
- Wide range DC 9~36V Power Input
- Support Panel Mount & VESA Mount
- Fanless Design
- ATEX Zone2, IECEx and C1D2 Certified



### Dimensions



UNIT: mm  
Tolerance: ±0.5

### Specifications

System	
CPU	Onboard Intel Celeron N2930 Processor (2M Cache, 1.83GHz)
System Chipset	SoC
Memory	Onboard 4GB DDR3L SDRAM Onboard 8GB DDR3L SDRAM (option)

IO Port	
USB	1 x M12 8-pin for 2 x USB 2.0 with waterproof cover and chain
Serial/Parallel	1 x M12 8-pin for COM1, RS-232/422/485, default RS-232, with waterproof cover and chain
Graph	1 x M12 12-pin for VGA with waterproof cover and chain
LAN	2 x M12 8-pin for LAN with waterproof cover and chain
Power	1 x M12 3-pin for DC power with waterproof cover and chain

Storage Space	
Storage	1 x 2.5" SATA3 HDD space
Movable device	1 x internal SD card slot onboard

Expansion	
Expansion Slot	1 x Mini-PCIe slot (full size) for option WLAN/BT module

Power	
Power Input	DC 9~36V
Power Consumption	MAX: 15.9W

Mechanical	
Construction	316 Stainless Steel Chassis
Mounting	VESA mount 100 x 100, Wall mount
IP Rating	Total IP66
Dimensions	334 x 195 x 38.5mm
Net Weight	4.0 kg

Environmental	
Operating Temperature	-20~ 60°C
Storage Temperature	-30~ 70°C
Storage Humidity	10 to 90%@ 40°C, non-condensing
Certificate	CE / FCC Class A ATEX Zone2 Ex nA ic IIC T4 Gc Class I, Division 2, Group ABCD T4 ANSI/ISA 12.12.01-2013 CSA Std. C22.2 No213-1987

Operating System Support	
Windows 7 Pro for Embedded	
Windows Embedded Standard 7	
Windows Embedded 8.1 Industry Pro	
Windows Embedded 8 Standard	
Windows 10 IoT ENT LTSC	

Ordering Information	
AEx-2410	Fanless Box PC module, Intel Celeron N2930 1.8G CPU fan less panel PC, 8GB DDR3L memory on board, 1 x 128GB 2.5" MLC SSD, 1 x 64GB mSATA GMLC SSD, Projected capacitive touch, DC9~36V power input with power adapter, 316 stainless steel enclosure, support VESA Mount, WT-20~60 Accessory : 1 x M12 for 2 x USB2.0 Cable, 2 x M12 LAN cable, 1 x M12 COM Cable, 1 x VGA Cable, 1 x 3pin power input cable (w/o Adapter)