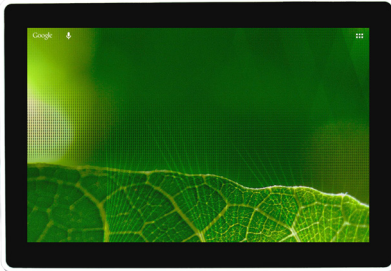


# M1012

## 10.1" Medical Terminal powered by Android™



### Features

- Soldered onboard TI OMAP™ 4470 Cortex™-A9
- 10.1" LCD with 10-point Projected Capacitive Multi-Touch
- Applicable for bedside infotainment and medical thin-client
- IEC60601-1 (3<sup>rd</sup> edition), EN60601-1 (3<sup>rd</sup> edition), EN60601-1-2 certified
- UL60601-1 compliant
- Soldered onboard 1GB LPDDR2 memory
- 2.0 MP front-facing camera
- 75mm VESA-mount supported

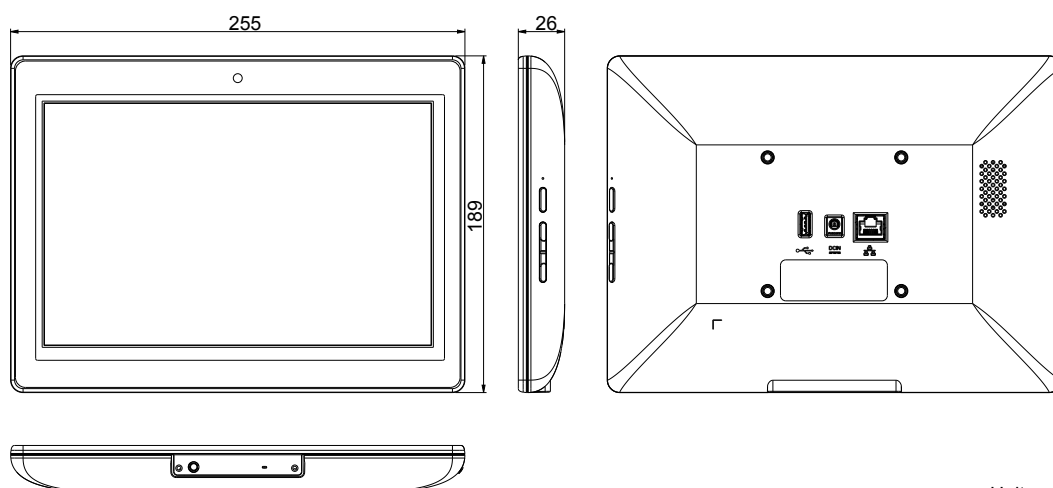
System	
CPU	Soldered onboard TI OMAP™ 4470 Cortex™-A9 dual-core 1.5 GHz
Memory	Soldered onboard 1GB LPDDR2
Storage	Soldered onboard 8GB eMMC Flash
Peripherals and Devices	
Camera	2.0 MP front-facing MIPI camera
WLAN & Bluetooth	1 x WLAN 802.11 a/b/g/n & Bluetooth 2.1 +EDR
RFID & NFC	1 x 13.56MHz RFID & NFC reader with ISO 14443A/14443B/15693 support (optional)
I/O Interface	
SD Card	1 x microSDHC/microSD card socket (hidden) (Max. 32GB)
Audio	1 x 3W stereo speakers 1 x Line-out w/ an external headset 1 x built-in microphone
LAN	1 x RJ-45 10/100M with PoE PD support
USB Port	1 x USB 2.0 Type-A port 1 x OTG micro-USB 2.0 (hidden)
Button & Indicator	
Button	1 x Power on/off button 2 x Volume up/down buttons 1 x Reset button (hidden)
Touch Screen	
Type	10-point Projected Capacitive Multi-Touch
Controller Interface	I <sup>2</sup> C interface with controller on the FPC cable

LCD Display	
Size/Type	10.1" TFT, LVDS type
Max. Resolution	1280 x 800
Luminance	250 cd/m <sup>2</sup> (typ.)
Contrast Ratio	600:1 (typ.)
Backlight Type	LED
View Angle (U/D/R/L)	77.5°/77.5°/75°/75° (typ.)
Power Requirement	
Adapter Input	100 ~ 240 VAC (full range)
Adapter Output	DC 12V, 2.5A, 30W with medical certificate
Mechanical & Environmental	
Operating Temp.	0 ~ 40°C (32 ~ 104°F)
Storage Temp.	-20 ~ 60°C (-4 ~ 140°F)
Operating Humidity	10 ~ 80 % @ 40°C (non-condensing)
Dimensions (W x H x D)	255 x 189 x 26 mm (10.04" x 7.44" x 1.02")
Net Weight	750g (1.66lb)
Vibration	1 Grms/ 5 ~ 500Hz/ random operation
Shock	10G/ peak (11ms)
Mounting	VESA-75 compatible (M4)
IP Rating	Compliance design with IP65 (front touch panel)
Operational Altitude	Below 2000m CE, FCC Part 18 Subpart C
Regulatory	IEC60601-1 (3 <sup>rd</sup> edition), EN60601-1 (3 <sup>rd</sup> edition), EN60601-1-2 UL60601-1 compliant
OS Support	
Android™	4.1.1
Ordering Information	
M1012	10.1" terminal with projected capacitive touchscreen, Wi-Fi, BT, front camera
HTAB10	10.1" terminal with projected capacitive touchscreen, Wi-Fi, BT, front camera & Multimed TAB software*

\*For more information on Multimed TAB software, please refer to the HTab datasheet on ARBOR website.



## Dimensions



Unit:mm

---

### Standard Accessories

PAC-M030W                      30W medical-grade AC/DC adapter kit



---

### Optional Accessory (BTO\* Model)

Rolling Stand                      Rolling stand



---

### Optional Configuration (CTOS\*\* Kit) (Not Sold Separately)

RFID & NFC-1012                      RFID & NFC module kit



*\*BTO means Build-to-Order. Please contact ARBOR's sales representatives for details.  
\*\*CTOS means Configure-to-Order Service.*