

5.7" Rugged Tablet Handheld with OMAP™ 1.5GHz Processor



Features

- 5.7" WXGA (1280 x 720) TFT LCD 420 Nit Display with LED Backlight
- TI® OMAP™ 4470, up to 1.5GHz Processor
- LPDDR2 1GB SDRAM
- Projected Capacitive Multi-Touch Panel, Gorilla Glass
- Li-Polymer High-Capacity Battery, up to 8 Hours Battery Life
- Extended Swappable Battery, MIL-STD 810G, IP-65 Compliant
- Sunlight Readable (Optional), GPS/ GLONASS Simultaneously
- WiFi b/g/n, BT 3.0, WWAN, 3G (Optional)
- Light Sensor/ G-Sensor/ E-Compass/ Vibration Motor
- 5MP Camera, 1D/2D BCS, MSR/Smart Card Reader (Optional)
- Supports NFC/RFID, Variant Extensions
- Docking Station (Optional)
- Android™ 4.2



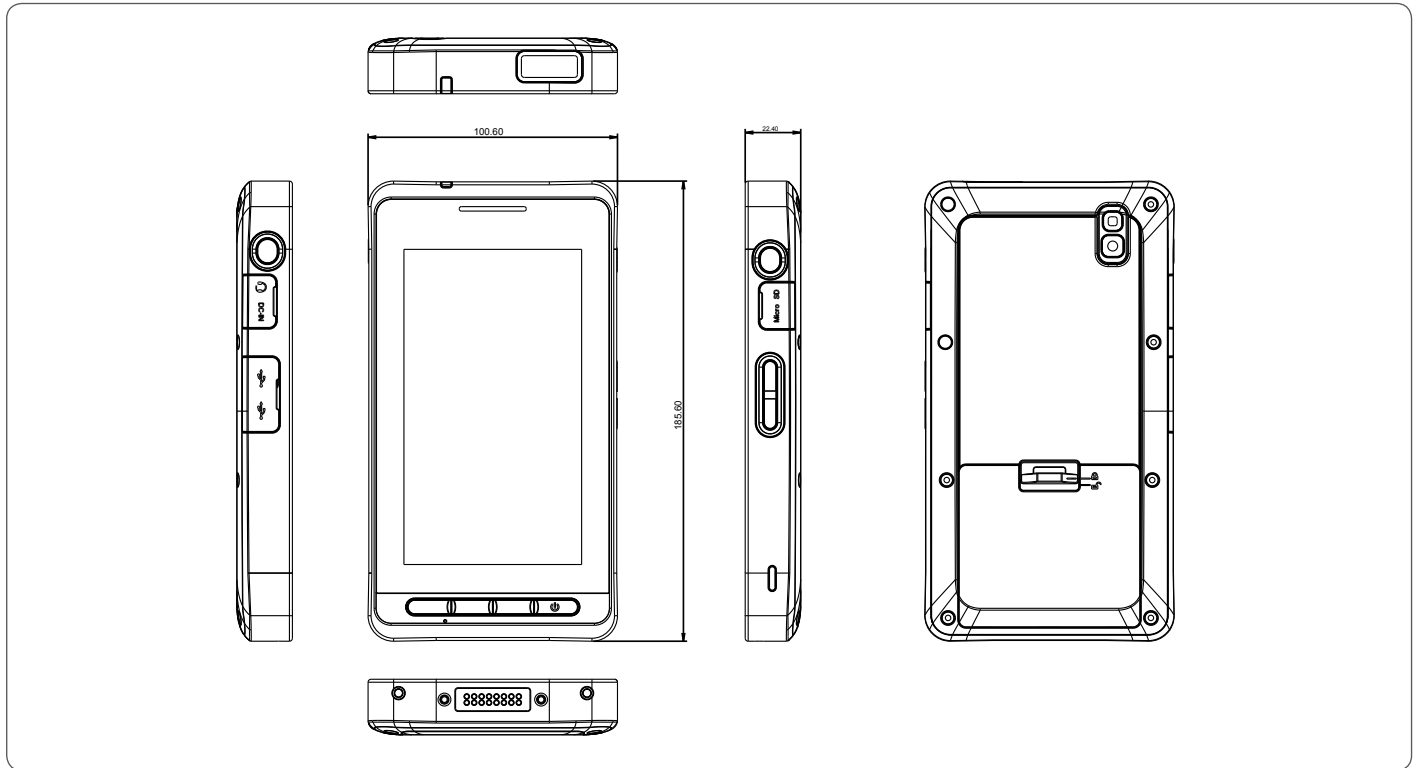
Specifications

System	
Processor	TI® OMAP™ 4470 up to 1.5 GHz Processor
Memory & Storage	LPDDR2 1GB SDRAM & eMMC Flash 16GB
I/O	Micro USB port x 1, USB2.0 type A port x 1, 3.5-mm stereo headphone jack x 1, DC-In Jack x1, Built-in Speaker & Microphone, Micro SD Card x 1
Communication	WiFi support IEEE 802.11 b/g/n BT 3.0 with integrated class 1 PA and BLE
WWAN(optional)	3G: WCDMA/CDMA
GNSS	GPS, GLONASS, Beidou, A-GPS. *A-GPS only available when the 3G module is enabled.
BCR (optional)	1D Scanner support CMOS engine, 2D Scanner support LED engine
RFID	HF RFID based on 13.56MHz compatible with NFC
Camera	5M Pixel AF camera with flash light
Sensors	Built-in Light Sensor, Built-in G-Sensor, Built-in 3-axis digital gyroscope Built-in vibrator
OS	Android 4.2
Mechanical	
Color	Black
Dimension (W x H x D)	W100 x H185 x D22.3(mm)
Gross Weight	430g
Environmental	
Operating Temperature	-Battery charging status: -20°C to 40°C -Battery discharging status: -20°C to 50°C
Storage Temperature	-55°C to 75°C
Humidity	10% to 95%
Vibration	Meet Mil Std 810G-514.6, Procedure I
Drop	Mil-STD-810G-516.6, Procedure IV
Water & Dust Proof	IP65
ESD	Air +/- 8KV , Contact +/- 4KV
EMI/Safety	CE/FCC Class B/UL
Power Supply	
AC/DC Adapter	AC input 100V-240V, 50Hz-60Hz; DC output: 12V, 2A
Battery	Hotswappable Lithium-Polymer high capacity battery, support up to 6-8hrs -External Battery: 7.4V 1530mAH -Internal Battery: 7.4V 1530mAH
LCD	
Display	5.7" TFT LCD with LED backlight
Resolution	1280 x 720 Pixels
Brightness	420 nits
Viewing angle	Vertical/ Horizontal 178°
Touch Screen	
Touch Screen	Projected Capacitive Multi-Touch panel
Light Transmission	≥ 87%

RTC-600A

Dimension

Unit: mm



Packing List

- 1255300241
12V/24W AC Power Adapter
- Product CD
- RTC-600A

Optional Accessories

- 1702031830
Power Cable for USA
- 1700050156
USB OTG Cable
- 1702031831
Power Cable for Europe
- AP-PS1757402101
Vehicle DC/DC Adapter

Ordering Information

Part Number	CPU	LCD Display	Touch Screen	System Memory	Storage	OS	WiFi/Bluetooth	3G Bands (MHz)	Navigation	Sensor	Camera	Battery	Expansion I/O	Size & Weight	Operation Temp	Durable	NFC (HF RFID)	2D Barcode Scanner	Sunlight Readable	MSR	SCR	Docking	
RTC-600A-TA-WBGH-5000	OMAP™ 4470 1.5GHz	5.7"	Pcap 10-point	LPDDR2 1GB	16GB eMMC Flash	Android 4.2	802.11 b/g/n	850/ 1900/ 2100	GPS/ A-GPS	Light Sensor x 1 G Sensor x 1 3-axis digital gyroscope x 1 Vibrator x 1	5MP	Single Battery 7.4V, 1530mAh	USB2.0 x 1 MicroUSB x 1 Micro SD x 1 SIM Card x 1	L 186.6 x W 100.6 x H 22.3 mm 430g	-20°C ~ 50°C	Meet IEC 60529 IP-65 standard Mil Std 810G-516.6, Procedure IV Mil Std 810G-514.6, Procedure I 26 drops of 48" height to 2" plywood over concrete with bumpers & unit off 2 units to pass	—	—	—	—	—	—	
RTC-600A-TA-WBG-5000								—	GPS		5MP		USB2.0 x 1 MicroUSB x 1 Micro SD x 1		-20°C ~ 50°C		—	—	—	—			
RTC-600A-TA-WBGH-5001								850/ 1900/ 2100	GPS/ A-GPS		5MP		USB2.0 x 1 MicroUSB x 1 Micro SD x 1 SIM Card x 1		-20°C ~ 50°C		—	YES	—	—	—	—	
RTC-600A-TA-WBG-5001								—	GPS		5MP		USB2.0 x 1 MicroUSB x 1 Micro SD x 1		-20°C ~ 50°C		—	YES	—	—	—	—	
RTC-600A-TA-WBGH-5100								850/ 1900/ 2100	GPS/ A-GPS		5MP		USB2.0 x 1 MicroUSB x 1 Micro SD x 1 SIM Card x 1		-20°C ~ 50°C		—	—	—	—	—	—	
RTC-600A-TA-WBG-5100								—	GPS		5MP		USB2.0 x 1 MicroUSB x 1 Micro SD x 1		-20°C ~ 50°C		—	—	—	—	—	—	
RTC-600A-TA-WBGH-5101								850/ 1900/ 2100	GPS/ A-GPS		5MP		USB2.0 x 1 MicroUSB x 1 Micro SD x 1 SIM Card x 1		-20°C ~ 50°C		—	YES	—	—	—	—	
RTC-600A-TA-WBG-5101								—	GPS		5MP		USB2.0 x 1 MicroUSB x 1 Micro SD x 1		-20°C ~ 50°C		—	YES	—	—	—	—	
RTC-600A-TA-WBGHR-5001								850/ 1900/ 2100	GPS/ A-GPS		5MP		Single Battery 7.4V, 1530mAh		USB2.0 x 1 MicroUSB x 1 Micro SD x 1		-20°C ~ 50°C	YES	YES	—	—	—	—
RTC-600A-TA-WBGHR-5101								850/ 1900/ 2100	GPS/ A-GPS		5MP		Dual-Battery Internal: 7.4V, 1530mAh External: 7.4V, 1530mAh		USB2.0 x 1 MicroUSB x 1 Micro SD x 1		-20°C ~ 50°C	YES	YES	—	—	—	—