

Features



- 15" LED Backlight TFT LCD
- Intel Atom D2550 Low Power Consumption Processor
- On Board 2G DDR3, 4G for Option
- 316 Stainless Steel Enclosure
- 5 Wire Resistive Touch
- IP65 Dustproof and Waterproof
- Wide Range DC 11~32V Power input
- ATEX95n / EN60079-11 Certified



Specifications



Hardware

Processor	Intel Atom Processor D2550 (1M Cache, 1.8GHz)
System Chipset	Intel NM10 Express
System Memory	Onboard 2GB DDR3 800 MHz, 4GB for option
Outside I/O Port	1 x M12 8pin for 2 x USB2.0 1 x M12 8pin for GbE LAN 1 x M12 8pin for RS-232 (COM2) 1 x M12 8pin for RS-232/422/485 (COM1, default RS-232) 1 x M12 3pin DC Power Input
Storage	1 x 2.5" SATA2 HDD or SSD 1 x Internal SD slot
Onboard Expansion bus	1 x Mini PCIe half size
Expansion slot	NA

Display

Display Type	15" Color TFT-LCD
Max. Resolution	1024 x 768
Max. Color	16.7M
Luminance (cd/m ²)	400
View Angle	160/140
Contrast	700:1
Backlight Lifetime	50,000 hrs

Touch Screen

Type	Resistive Touch Screen Type
Interface	RS-232 interface
Light transmission (%)	Over 80%

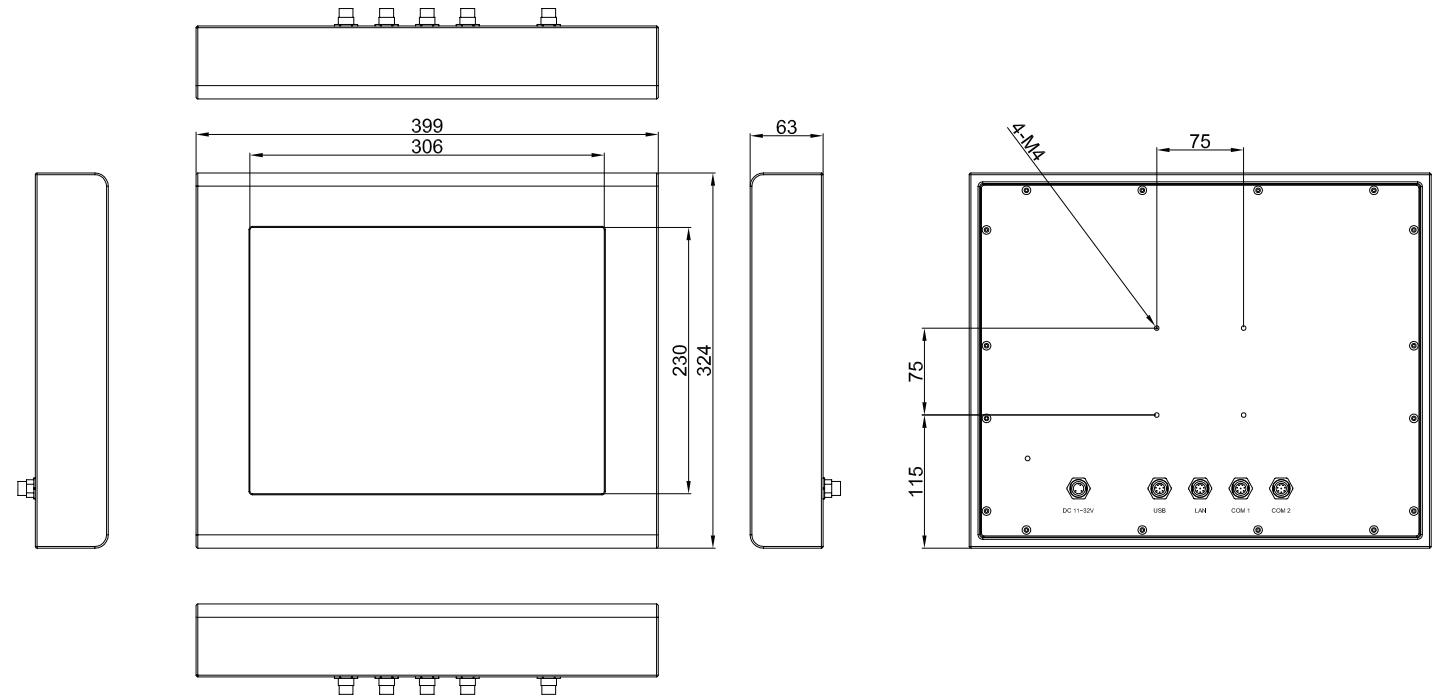
Power

Power input	11~32V DC
Power Consumption	24.33W

Mechanical

Construction	316 Stainless Steel
IP Rating	Total IP65
Mounting	VESA 75 x 75
Dimension (mm)	399 x 324 x 63 mm
Net Weight (Kgs)	6.9 kgs

Dimensions



Environmental

Operating temperature(°C)	-20~60
Storage temperature(°C)	-30~70
Storage humidity	10 to 90% @40°C, non-condensing
Certification	CE / FCC Class A/ ATEX95-n / EN60079-11

Operating System Support

Windows 7 Professional for Embedded Systems
 Windows 7 Ultimate for Embedded Systems
 Windows Embedded 8 Standard
 Windows Embedded 8 Pro
 Windows Embedded 8.1 Pro
 Windows Embedded 8.1 Industry Pro

Ordering information

AEx-P526-01	15" XGA IP65 Intel Atom D2550 1.8G CPU fan less panel PC, 2GB DDR3 memory, 320G industrial HDD, resistive touch, DC 11~32V power input, 316 stainless steel enclosure
-------------	-----------------------------------------------------------------------------------------------------------------------------------------------------------------------