

Features

- Fanless and High Performance Panel PC
- Intel 4th Core-i3/i5/i7 Processor
- On Board DDR3L 4GB 1333/1600MHz
- M12 Connector
- SUS304 Grade Stainless Steel Enclosure (SUS 316 Optional)
- Full Flat Bezel Design and Totally IP65/IP69K
- Projective Capacitive Touch/ Resistive Touch Window
- 9~36V DC wide-ranging power input



Specifications

| System | |
|----------------|--|
| Processor | Intel Core i3-4010U Processor (3M Cache, 1.7 GHz) / TDP:15W Intel Core i5-4310U Processor (3M Cache, 2.0 GHz) / TDP:15W |
| System Chipset | SoC |
| System Memory | On Board DDR3L 4GB 1333/1600MHz |
| Storage | 1 x 2.5" SATA HDD or SSD (Easily accessible design) 1 x Internal SD Card slot on board |
| Graphic | Integrated Intel HD graphics 4400 |

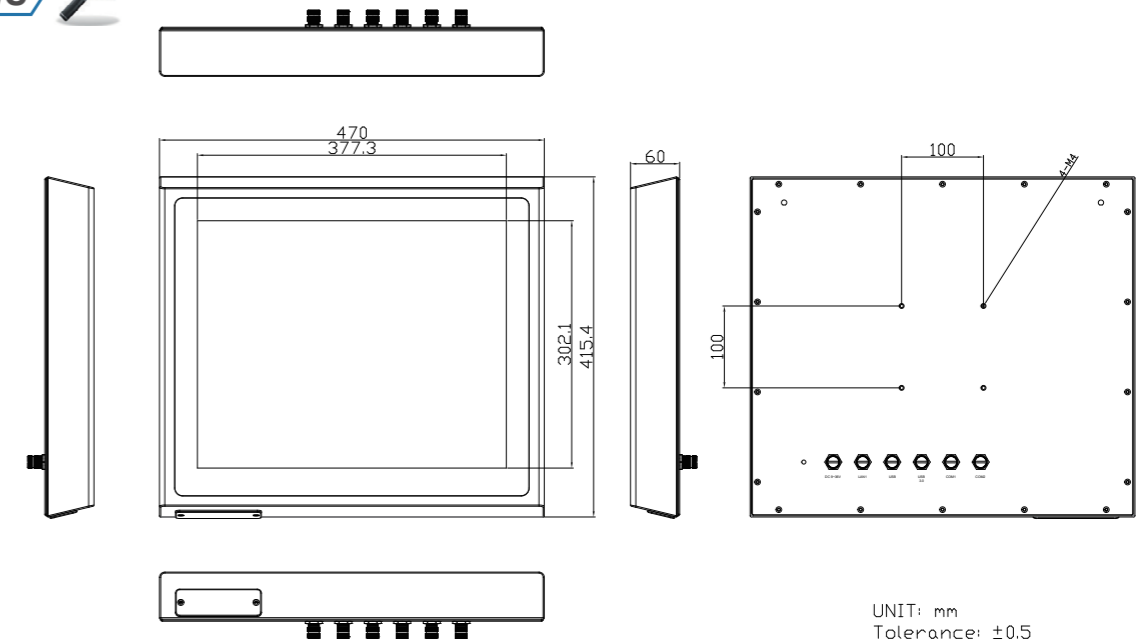
| External I/O | |
|-----------------|---|
| USB | 1 x M12 8pin for 1xUSB 3.0 1 x M12 8pin for 2xUSB 2.0 |
| Serial/Parallel | 1 x M12 8pin for COM1 /RS-232/422/485 (Default RS-232) 1 x M12 8pin for COM2 /RS-232 |
| Audio | None |
| Graph | None |
| LAN | 1 x M12 8pin for LAN |
| Digital I/O | None |
| Power | 1 x M12 3pin DC Power |

| Expansion | |
|----------------|--|
| Expansion slot | 1 x Mini PCIe full size For Option WLAN/BT Module and Antenna at rear side |
| OS Support | Windows 7 Professional for Embedded Systems Windows 7 Ultimate for Embedded Systems Windows Embedded 8 Standard Windows Embedded 8 Pro Windows Embedded 8.1 Pro Windows Embedded 8.1 Industry Pro |

| LCD | |
|--------------------------------|---------------|
| Display Type | 19" TFT-LCD |
| Max. Resolution | 1280 x 1024 |
| Max. Color | 16.7M |
| Luminance (cd/m ²) | 350 |
| View Angle | H: 170/V: 165 |
| Contrast | 1000:1 |
| Backlight Lifetime | 50,000 Hrs |

| Touch Screen - Projected Capacitive Touch | |
|---|-----|
| Interface | USB |
| Light transmission (%) | 90% |

Dimensions



UNIT: mm
Tolerance: ±0.5

| Touch Screen - Resistive Touch Window | |
|---------------------------------------|-----|
| Interface | USB |
| Light transmission (%) | 80% |

| Power | |
|-------------------|------------|
| Power input | 9~36V DC |
| Power Consumption | MAX: 32.4W |

| Mechanical | |
|--------------|---------------------------|
| Construction | Satinless steel |
| IP Rating | Total IP65/IP69K |
| Mounting | VESA Mount 100 x 100 |
| Dimension | 470 mm x 415.4 mm x 60 mm |
| Net Weight | 9.6 kg |

| Environmental | |
|-------------------------|-----------------------------------|
| Operating | 0~50°C |
| Storage temperature(°C) | -30~70°C |
| Storage humidity | 10 to 90% @ 40°C, non- condensing |
| Certification | CE/FCC class A |

| Ordering Information | |
|----------------------|---|
| APC-3995P-01 | 19" SXGA IP65/IP69K full flat bezel design stainless steel panel PC, Intel Core i3-4010U 1.7GHz processor, 4G DDR3L, 2.5" SATA2 320G Industrial HDD, with projective capacitive touch, DC power input with Adaptor, stainless steel enclosure |
| APC-3995R-01 | 19" SXGA IP65/IP69K full flat bezel design stainless steel panel PC, Intel Core i3-4010U 1.7GHz processor, 4G DDR3L, 2.5" SATA2 320G Industrial HDD, with Resistive Touch Window, DC power input with Adaptor, stainless steel enclosure |
| APC-3995P-02 | 19" SXGA IP65/IP69K full flat bezel design stainless steel panel PC, Intel Core i5-4310U 2.0GHz processor, 4G DDR3L, 2.5" SATA2 320G Industrial HDD, with projective capacitive touch, DC power input with Adaptor, stainless steel enclosure |
| APC-3995R-02 | 19" SXGA IP65/IP69K full flat bezel design stainless steel panel PC, Intel Core i5-4310U 2.0GHz processor, 4G DDR3L, 2.5" SATA2 320G Industrial HDD, with Resistive Touch Window, DC power input with Adaptor, stainless steel enclosure |