



Features

- Variety of LCD Panel Size Selections
- Flat Front Panel with IP65 Design
- Solid Aluminum Die-casting Chassis
- Intel Atom N2600 processor, Dual Core Low Power Fanless System

Specifications

System	
CPU	Intel Atom Cedar View N2600 1.6GHz Dual Core Processors
System Chipset	Intel NM10
System Memory	Onboard DDR3 2GB 800 MHz

IO Port	
USB	2 x USB 2.0 type A, USB4/5
Serial/Parallel	1 x RS-232/422/485 DB-9, COM1, Default RS-232 1 x RS-232 DB-9, COM2
Audio	1 x Line out phone jack
LAN	2 x GbE RJ-45
Power	3 pins terminal block connector, DC Power input

Storage Space	
HDD	1 x 1.8" SATA 2 half size
Movable device	1 x Internal SD slot

Expansion	
On board expansion bus	1 x Mini-PCIe half size

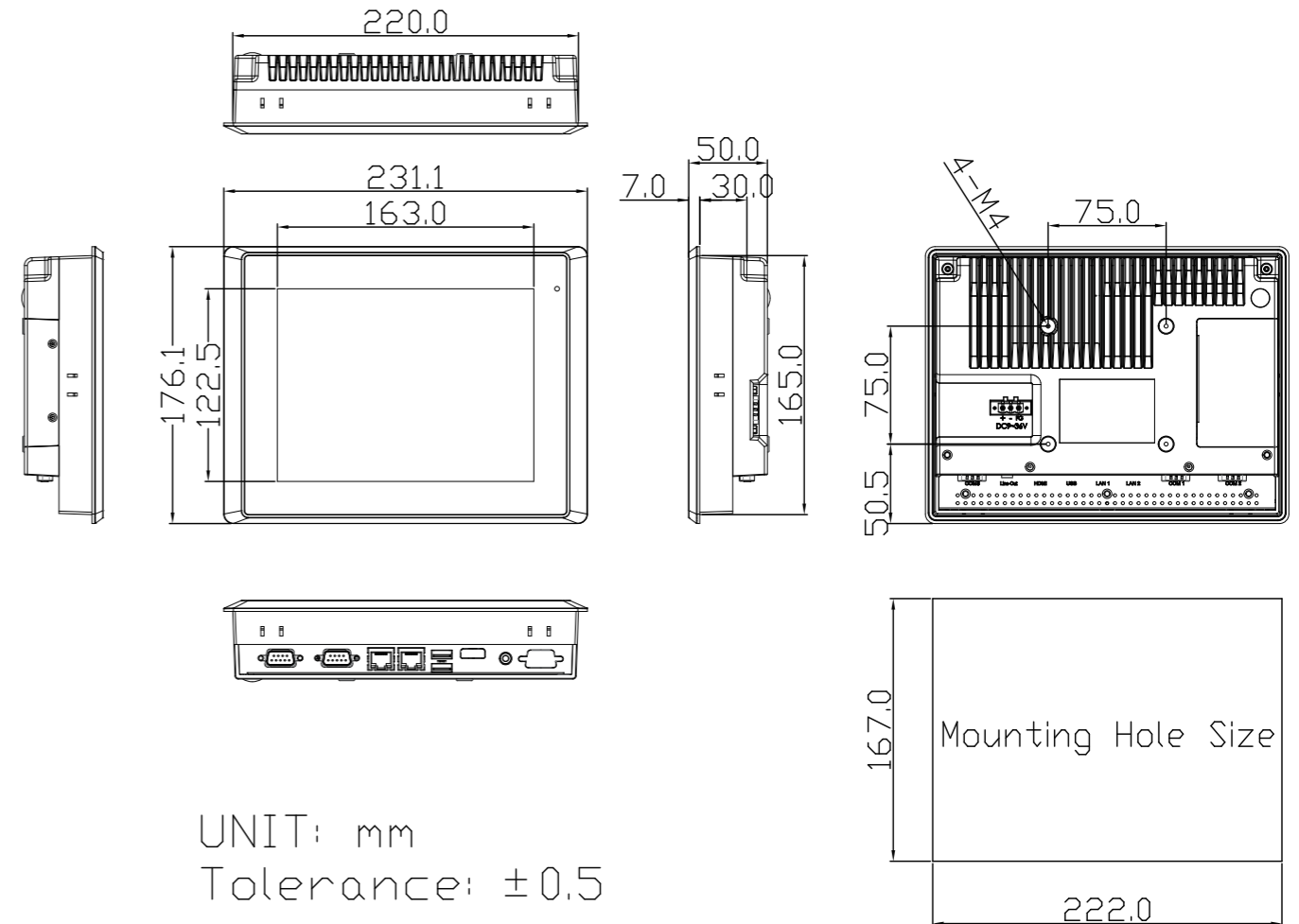
Display	
Display Type	8" TFT-LCD
Max. Resolution	800x600
Max. Color	16.2 M
Luminance (cd/m ²)	350
Viewing Angle (Degree)	140/125

Touch screen	
Type	Resistive Touch / Projected Capacitive Touch (for P model)
Interface	RS-232 / USB (for P model)
Light Transmission(%)	80% / 90% (for P model)

Power	
Power Input	9~36V DC
Power Consumption	Max:15.2W

Mechanical	
Construction	Sliver aluminum front bezel and chassis
IP Rating	IP65 front panel
Mounting	Panel mounting, VESA 75 x 75
Dimensions (WxHxD)	231mm x 176mm x 51mm
Net Weight (Kgs)	1.8

Dimensions



Environmental	
Operating Temperature	0~50°C
Storage Temperature	-20~60°C (option)
Storage Humidity	10 to 90% @ 40°C, non-condensing
Certificate	CE / FCC Class A

Operating System Support	
Windows XP pro	
Windows XP Embedded	
Windows Embedded CE6.0	
Windows 7 32-bit pro for Embedded	
Windows Embedded standard 7 32-bit	
(Win 7 32-bit support 3D Graphic function)	

Ordering Information	
ARCHMI-708	8" SVGA 800 x 600 fanless HMI with Atom N2600 1.6G CPU, 2GB DDR3 memory, touch window resistive touch screen, 9~36V DC input with adapter, Aluminum chassis.
ARCHMI-708P	8" SVGA 800 x 600 fanless HMI with Atom N2600 1.6G CPU, 2GB DDR3 memory, projected capacitive touch screen, 9~36V DC input with adapter, Aluminum chassis.

