



Features

- 8" Industrial Compact Size Panel PC
- Flat front panel touch screen
- Fanless design
- Intel Bay Trail N2930(2.16GHz) CPU built-in / E3845(1.91GHz) for option
- Onboard 2GB DDR 3L 1600 MHz/4GB(option)
- DC 9~36V wide-ranging power input
- IP65 compliant front panel
- Optional projected capacitive touchscreen support 7H anti-scratch surface

Specifications

System	
CPU	Onboard Intel Bay Trail N2930(1.83GHz) Processor / E3845(1.91GHz) for option
System Chipset	SoC
Memory	Onboard 2GB DDR 3L 1600 MHz/4GB(option)

IO Port	
USB	1 x USB 2.0 type A 1 x USB 3.0 type A
Serial/Parallel	1 x RS-232 DB-9(COM2) 1 x DB-9 RS-232/422/485 (Default RS-232)(COM1)
Audio	1 x Audio Line Out
LAN	2 x GbE LAN RJ-45
HDMI	1 x HDMI Port (reserved, no printing)
Power	1 x 3-pin DC Power input terminal 1 x 2-pin connector for power on/off button

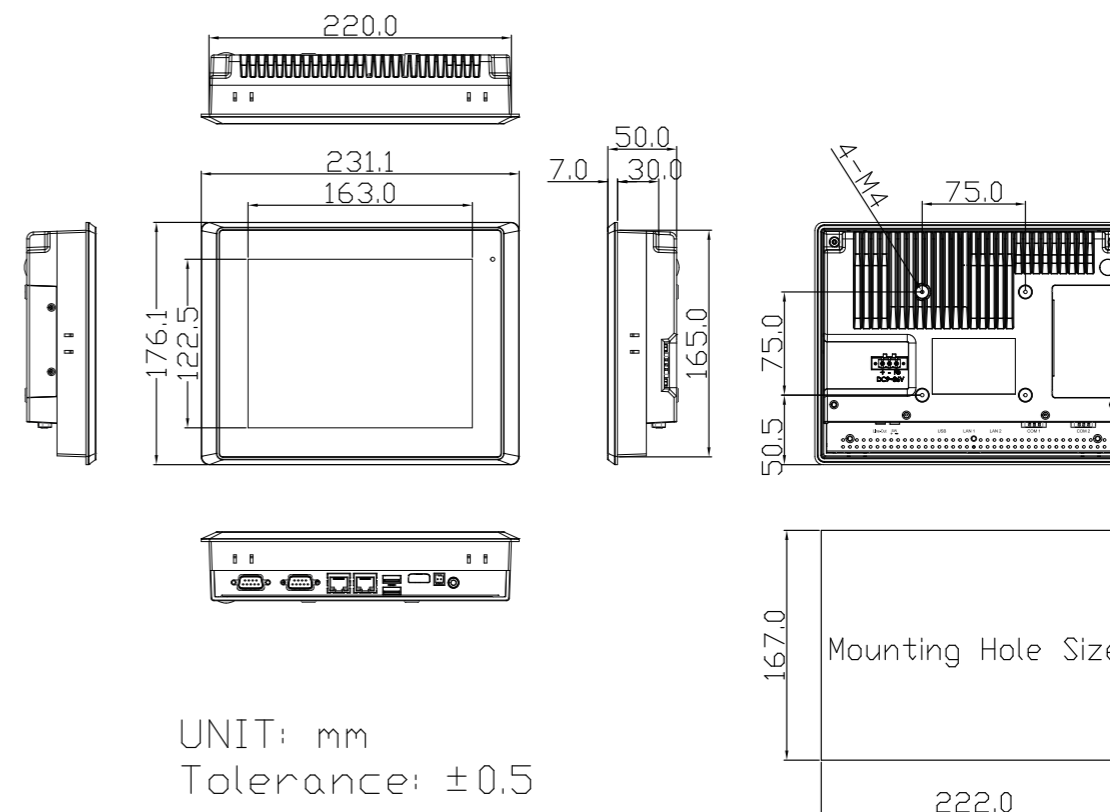
Storage Space	
HDD	1 x SATA MO-297 SDD bay, up to 64GB (Easy Accessible)
movable device	1 x SD card slot, up to 32GB

Expansion	
Expansion	1 x Internal Mini-PCIe slot full size

Display	
Display Type	8" TFT-LCD
Max. Resolution	800x600
Max. Color	16.2M
Luminance (cd/m ²)	350
Viewing Angle (Degree)	140/125
Contrast Ratio	500:1
Backlight Lifetime	40,000 hrs

Touch screen-Resistive Touch Window Type	
TS Control IC	PenMount 6000 on Board
Interface	USB interface
Light Transmission(%)	Over 80%

Dimensions



Touch screen-Projected Capacitive Type

TS Control IC	Chip on tail
Interface	USB interface
Light Transmission(%)	Over 90%

Power

Power Input	9~36V DC
-------------	----------

Mechanical

Construction	Aluminum Die-casting Front Bezel and Chassis
Front Bezel Metal	Aluminum / Panel Mounting I
Rear Panel Metal	Aluminum / VESA 75 x 75
Dimensions (WxHxD)	231mm x 176mm x 50mm

Environmental

Operating Temperature	0~50°C
Storage Temperature	-20~60°C
Storage Humidity	10 to 90%@ 40°C, non-condensing
Certificate	Meet CE / FCC CLASS A

Operating System Support

Windows Embedded Compact 7, Windows 7, Windows Embedded Standard 7, Windows 8
Windows Embedded 8 Standard, Windows 8.1, Windows Embedded 8.1 Industry

