



## Features

- 10.1" Industrial Compact Size Panel PC
- Flat front panel touch screen
- Fanless design
- Intel Bay Trail N2930(2.16GHz) CPU built-in / E3845(1.91GHz ) for option
- Onboard 2GB DDR 3L 1600 MHz/4GB(option)
- DC 9~36V wide-ranging power input
- IP65 compliant front panel
- Optional projected capacitive touchscreen support 7H anti-scratch surface

## Specifications

System	
CPU	Onboard Intel Bay Trail N2930(1.83GHz) Processor / E3845(1.91GHz ) for option
System Chipset	SoC
Memory	Onboard 2GB DDR 3L 1600 MHz/4GB(option)
IO Port	
USB	1 x USB 2.0 type A 1 x USB 3.0 type A
Serial/Parallel	1 x RS-232 DB-9(COM2) 1 x DB-9 RS-232/422/485 (Default RS-232)(COM1)
Audio	1 x Audio Line Out
LAN	2 x GbE LAN RJ-45
HDMI	1 x HDMI Port (reserved, no printing)
Power	1 x 3-pin DC Power input terminal 1 x 2-pin connector for power on/off button
Option	2 x RS-232 DB-9 + 1 x Mini-PCIe slot via TB-528C2ME1 2 x CAN bus via TB-528CAN2 2 x USB 2.0 type A + 1 x Mini-PCIe slot + 1 x RS-232 DB-9 via TB-528C1U2 2 x USB 2.0 type A Via TB-528U2

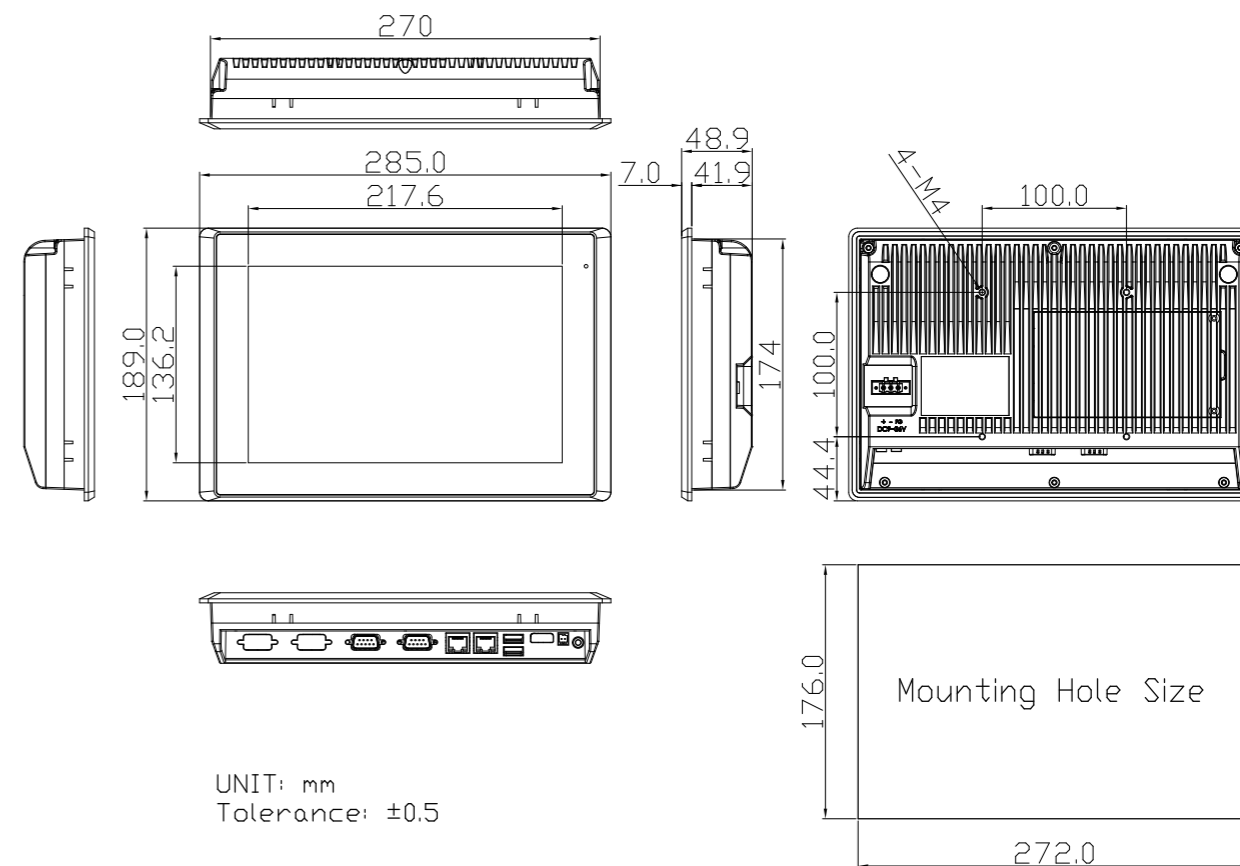
Storage Space	
HDD	1 x 2.5" SATA HDD bay for SATA HDD (Easy Accessible)
movable device	1 x SD card slot, up to 32GB

Expansion	
Expansion	1 x Internal Mini-PCIe slot full size

Display	
Display Type	10.1" TFT-LCD
Max. Resolution	1280x800
Max. Color	16.2M
Luminance (cd/m <sup>2</sup> )	350
Viewing Angle (Degree)	160/160
Contrast Ratio	800:1
Backlight Lifetime	50,000 hrs

Touch screen-Resistive Touch Window Type	
TS Control IC	PenMount 6000 on Board
Interface	USB interface
Light Transmission(%)	Over 80%

## Dimensions



Touch screen-Projected Capacitive Type	
TS Control IC	Chip on tail
Interface	USB interface
Light Transmission(%)	Over 90%

Power	
Power Input	9~36V DC

Mechanical	
Construction	Aluminum Die-casting Front Bezel and Chassis
Front Bezel Metal	Aluminum / Panel Mounting I
Rear Panel Metal	Aluminum / VESA 100 x 100
Dimensions (WxHxD)	285mm x 189mm x 49mm

Environmental	
Operating Temperature	0~50°C
Storage Temperature	-20~60°C
Storage Humidity	10 to 90%@ 40°C, non-condensing
Certificate	Meet CE / FCC CLASS A

Operating System Support	
Windows Embedded Compact 7, Windows 7, Windows Embedded Standard 7, Windows 8 Windows Embedded 8 Standard, Windows 8.1, Windows Embedded 8.1 Industry	