



## Features

- 17" Industrial Compact Size Panel PC
- Flat front panel touch screen
- Fanless design
- Intel Bay Trail N2930(2.16GHz) CPU built-in / E3845(1.91GHz ) for option
- Onboard 2GB DDR 3L 1600 MHz/4GB(option)
- DC 9~36V wide-ranging power input
- IP65 compliant front panel
- Optional projected capacitive touchscreen support 7H anti-scratch surface



## Specifications

| System         |   |
|----------------|---|
| CPU            | Onboard Intel Bay Trail N2930(1.83GHz) Processor / E3845(1.91GHz ) for option |
| System Chipset | SoC   |
| Memory         | Onboard 2GB DDR 3L 1600 MHz/4GB(option)                                       |

| IO Port         |   |
|-----------------|---|
| USB             | 1 x USB 2.0 type A<br>1 x USB 3.0 type A  |
| Serial/Parallel | 1 x RS-232 DB-9(COM2)<br>1 x DB-9 RS-232/422/485 (Default RS-232)(COM1)<br>1 x HDMI Port (Reserved, no printing)  |
| Audio           | 1 x Audio Line Out  |
| LAN             | 2 x GbE LAN RJ-45   |
| HDMI            | 1 x HDMI Port (reserved, no printing)   |
| Power           | 1 x 3-pin DC Power input terminal<br>1 x 2-pin connector for power on/off button  |
| Option          | 2 x RS-232 DB-9 + 1 x Mini-PCIe slot via TB-528C2ME1<br>2 x CAN bus via TB-528CAN2<br>2 x USB 2.0 type A + 1 x Mini-PCIe slot + 1xRS-232 DB-9 via TB-528C1U2P1<br>2 x USB 2.0 type A Via TB-528U2 |

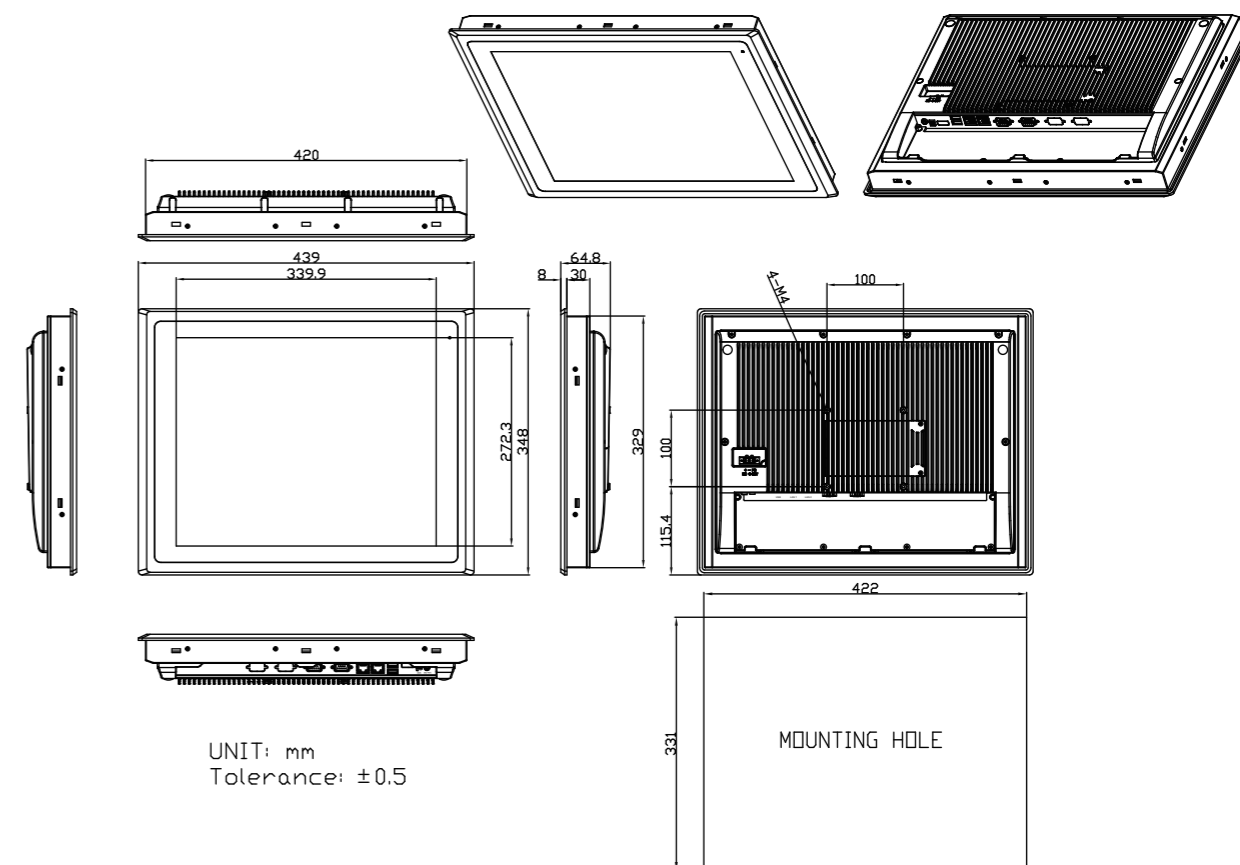
| Storage Space  |  |
|----------------|--|
| HDD            | 1 x 2.5" SATA HDD bay for SATA HDD (Easy Accessible) |
| movable device | 1 x SD card slot, up to 32GB                         |

| Expansion |                                       |
|-----------|---------------------------------------|
| Expansion | 1 x Internal Mini-PCIe slot full size |

| Display                        |             |
|--------------------------------|-------------|
| Display Type                   | 17" TFT-LCD |
| Max. Resolution                | 1280x1024   |
| Max. Color                     | 16.7M       |
| Luminance (cd/m <sup>2</sup> ) | 350         |
| Viewing Angle (Degree)         | 170/160     |
| Contrast Ratio                 | 1000:1      |
| Backlight Lifetime             | 30,000 hrs  |

| Touch screen-Resistive Touch Window Type |     |
|--|-----|
| Interface                                | USB |
| Light Transmission(%)                    | 80% |

## Dimensions



| Touch screen-Projected Capacitive Type |     |
|--|-----|
| Interface                              | USB |
| Light Transmission(%)                  | 90% |

| Power             |          |
|-------------------|----------|
| Power Input       | 9~36V DC |
| Power Consumption | 21W      |

| Mechanical         |                            |
|--------------------|----------------------------|
| IP Rating          | IP65 Compliant Front Panel |
| Front Bezel Metal  | Aluminum / Panel Mounting  |
| Rear Panel Metal   | Aluminum / VESA 100 x 100  |
| Dimensions (WxHxD) | 439mm x 348mm x 64.8mm     |
| Net Weight         | 5.1 Kg                     |

| Environmental         |                                 |
|-----------------------|---------------------------------|
| Operating Temperature | 0~50°C                          |
| Storage Temperature   | -20~60°C                        |
| Storage Humidity      | 10 to 90%@ 40°C, non-condensing |
| Certificate           | CE / FCC CLASS A                |

| Operating System Support   |  |
|--|--|
| Windows Embedded Compact 7, Windows 7, Windows Embedded Standard 7, Windows 8<br>Windows Embedded 8 Standard, Windows 8.1, Windows Embedded 8.1 Industry |  |