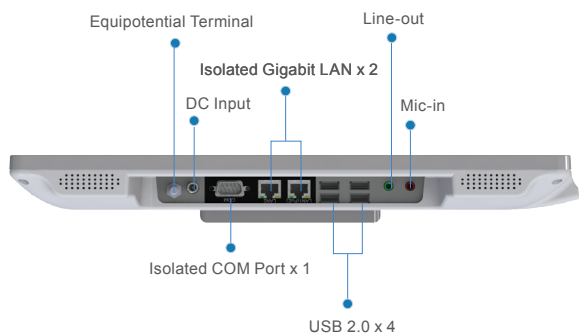
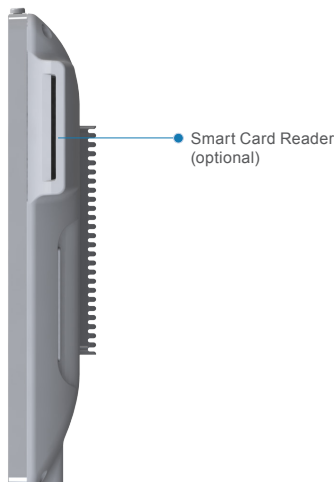
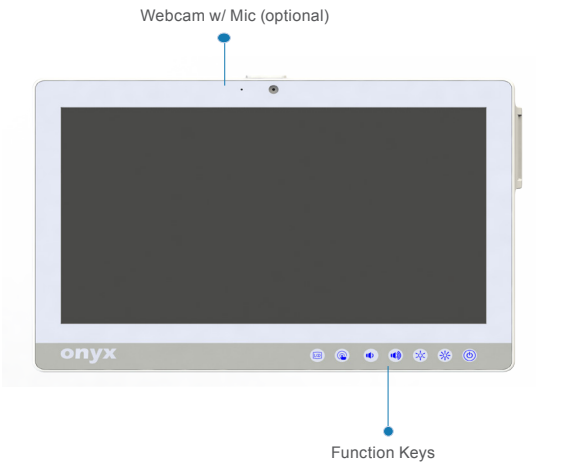


# Fanless Slim Panel HIT Solution

# ONYX-1531

15.6" Fanless J1900 Quad Core Slim Medical Panel PC



## Features

- Intel® Celeron J1900 2.42GHz Quad Core Processor
- 15.6" High Brightness 300-nit Full HD LCD
- Supports DDR3L SODIMM up to 8GB
- 5-wire Resistive Touch Screen / Capacitive Multi-Touch Screen
- Easy Cleaning Flat Screen
- 7 Programmable Smart Function Keys
- COM/LAN Medical Isolation
- 2.0M Pixels Camera with Mic (optional)
- Handset Phone (optional)
- Trusted Platform Module / Smart Card Reader(optional) / MSR(optional) / RFID Reader(optional)
- +12V to +24V wide range DC input / Power over Ethernet(optional)

## Specifications

### Main Specifications

|                        |  |
|------------------------|--|
| Processor              | Intel® Celeron J1900 Quad Core 2.42GHz   |
| System Memory          | Supports DDR3L SODIMM up to 8GB  |
| Expansion Interface    | Mini Card x 1  |
| Storage Disk Drive     | 2.5" SATA Hard Disk Drive/SSD x 1, mSATA SSD x 1                                       |
| Security               | Trusted Platform Module, Smart Card Reader (optional), MSR (optional), RFID (optional) |
| Wireless Communication | 802.11a/b/g/n(optional), Bluetooth 4.0 (optional)                                      |
| Speaker                | 3W x 2   |
| Function Key           | Speaker Volume Up/Down, LCD Brightness Up/Down   |
| Power Requirement      | DC 12~24V / Power over Ethernet (optional)   |
| OS Support             | Windows 7, Window 8.1, Windows10, Linux  |

### Display

|                       |   |
|-----------------------|---|
| Size / Type           | 15.6" LCD                                 |
| Max. Resolution       | 1920 x 1080                               |
| Luminance(cd/m2)(TYP) | 300 nits                                  |
| Max. Colors           | 16.7 M                                    |
| Viewing Angle         | 160°(H)/140°(V)                           |
| Contrast Ratio        | 700:1                                     |
| Back Light Life Time  | > 15,000 hours                            |
| Touch Screen          | 5-Wire Resistive / Capacitive Multi-Touch |

### I/O

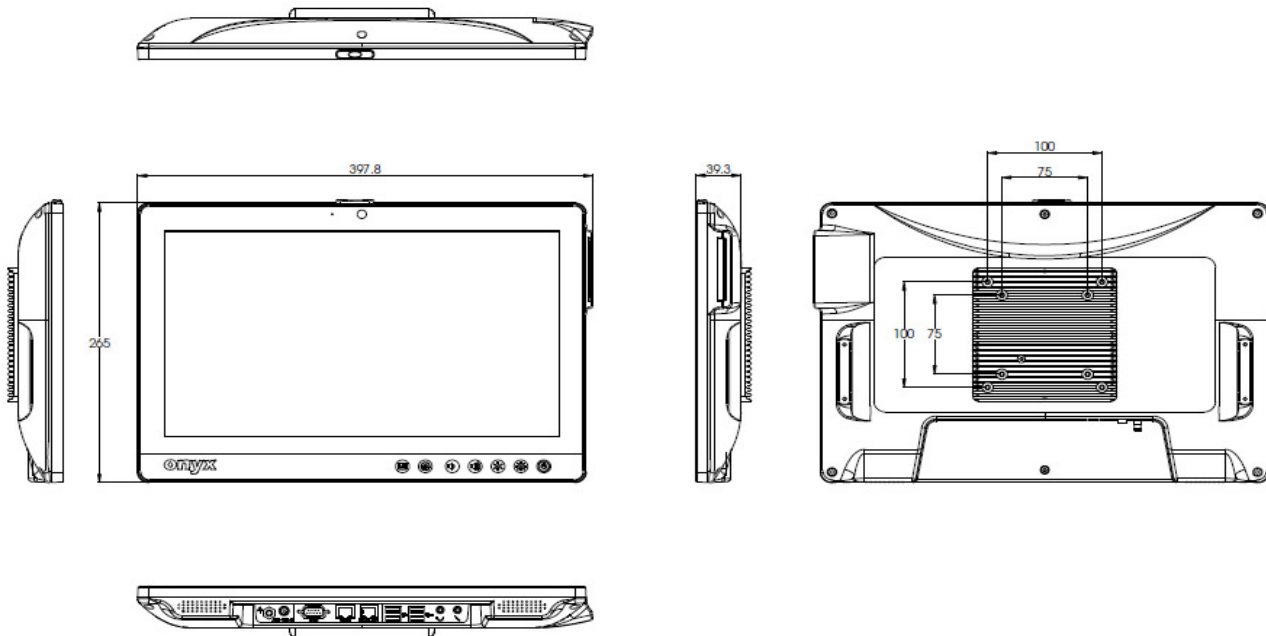
|             |                          |
|-------------|--------------------------|
| USB         | USB 2.0 x 4              |
| Serial Port | Isolated RS-232 x 1      |
| Ethernet    | Isolated Gigabit LAN x 2 |
| Audio       | Mic-in, Line-out         |

### Mechanical and Environmental

|                               |   |
|-------------------------------|---|
| Power Consumption             | Full loading: 19 Watts  |
| Operating Temperature         | 0°C ~ 40°C(32°F ~ 104°F)  |
| Storage Temperature           | -20°C ~ 60°C(-4°F ~ 140°F)  |
| Mounting                      | VESA 75/100 mm  |
| Degree of Protection          | IP65 in the front, IPX1   |
| Net Weight                    | 2.8 kg (6.2lb)  |
| Gross Weight                  | 6.5 kg (14.33lb)  |
| Package Dimension (W x D x H) | 721 x 224 x 464mm   |
| Certifications                | CE: EN 60601-1-2:2015(V4.0), EN 60601-1:2006/A1:2013(V3.1)<br>FCC: Part 18 Class B<br>UL: ANSI/AAMI ES60601-1:2012 (V3.1)<br>cUL: CAN/CSA-C22.2 No. 60601-1:2014 (V3.1) |

## 15.6" Fanless J1900 Quad Core Slim Medical Panel PC

### Dimension / Unit: mm



### Ordering Information

- » ONYX-1531ET-A1-1010  
Slim Medical Panel PC, 15.6" LCD, Intel Celeron J1900, 2GB RAM, DC 12~24V, Resistive Touch
- » ONYX-1531ST-A1-1010  
Slim Medical Panel PC, 15.6" LCD, Intel Celeron J1900, 2GB RAM, DC 12~24V, Capacitive Touch

### Optional Accessories

- » 1757306039  
Medical Power Adapter, 60W, 12V
- » OPM-T008-A1  
Smart Card Reader Kit
- » OPM-S02C-A1  
Magnetic Stripe Reader Kit
- » OPM-T011-A1  
2M Pixels Camera with Mic Kit
- » OPM-T018-A5  
Handset Kit
- » OPM-S04R-A1  
Smart Card+ RFID Reader Kit
- » OPM-T018-A6  
Handset w/Dual-Keypads, Camera
- » OPM-C16W-A5  
WLAN Kit, IEEE 802.11a/b/g/n + Bluetooth 4.0
- » OPM-P30D-A10  
Power over Ethernet Kit