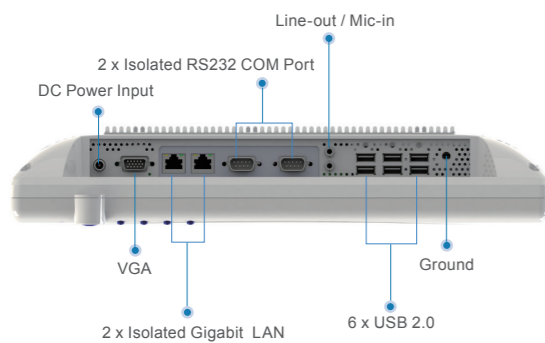
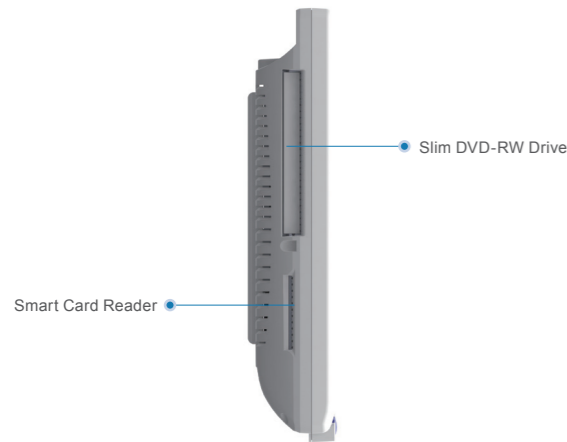


ONYX-1721

17" Atom Dual Core Slim Medical Panel PC



Features

- Intel® Atom™ D525 1.8GHz Dual Core Processor
- 17" 350 nits SXGA LCD with LED backlight
- 5-wire Resistive Touch Screen (optional)
- Build-in Smart Card Reader (optional)
- Slim DVD-RW Drive(optional)
- COM / LAN Medical 4 KV Isolation
- 802.11 b/g/n Wireless LAN (optional)
- +12V to +24V Wide Range DC input
- CE/FCC Class B, EN/UL60601-1 Medical Certification

Specifications

Main Specifications

Processor	Intel® Atom™ D525 1.8GHz Dual Core Processor
System Memory	Supports DDR3 SODIMM up to 4GB
Chipset	ICH8M
OS Support	Windows® XP, Windows® 7, Linux®
Expansion Interface	Mini Card x 2
Storage Disk Drive	2.5" SATA Hard Disk Drive/SSD x 1 Slim DVD-RW Drive x 1(optional)
Security	Smart Card Reader x 1(optional)
Wireless Communication	802.11b/g/n(optional), Bluetooth 4.0 (optional)
Speaker	3W x 2
Power Requirement	DC 12~24V

Display

Size	17"
Resolution	1280 x 1024
Max. Colors	16.7M
Luminance	350 nits
View Angle	170°(H)/160°(V)
Contrast Ratio	1000:1
Back Light Life Time	50,000 Hours
Touch Screen	5-wire Resistive/ 35 million activities(optional)

I/O

USB	USB 2.0 x 6
Serial Port	4KV Isolated RS-232 x 2
Ethernet	4KV Isolated Gigabit LAN x 2
Video Out	VGA x 1
Audio	Mic-in, Line-out

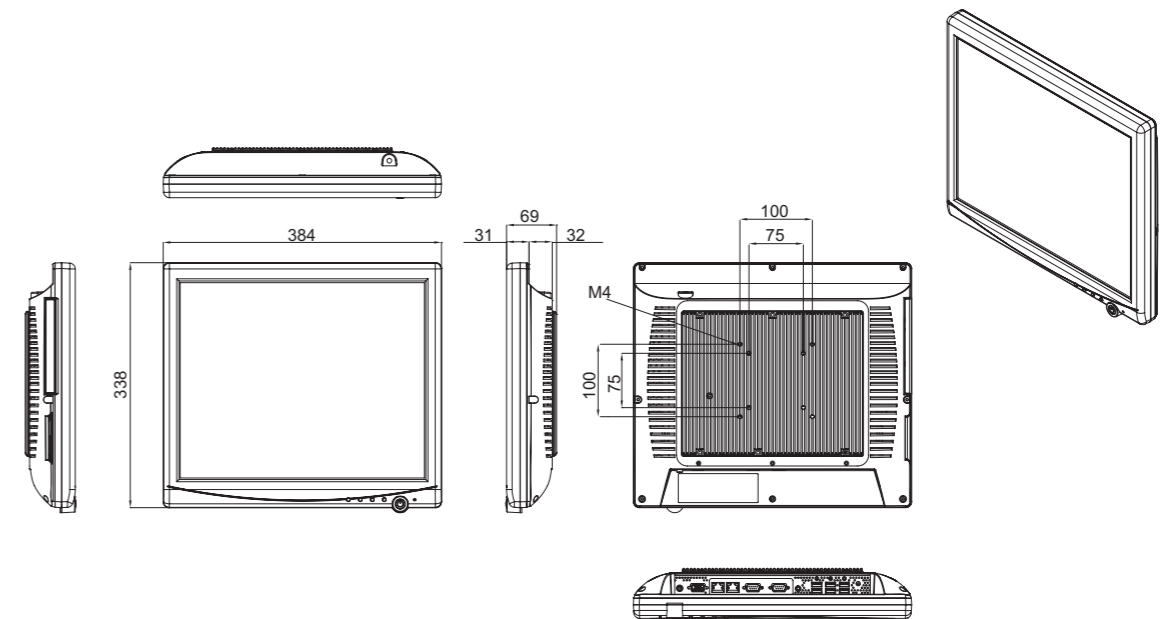
Mechanical and Environmental

Power Consumption	Full loading:41 Watts
Operating Temperature	0°C ~ 40°C(32°F ~ 104°F)
Storage Temperature	-20°C ~ 60°C(-4°F ~ 140°F)
Mounting	VESA 75/100 mm
Degree of Protection	IP65 in the front, IPX1
Net Weight	5.6kg (12.32lb)
Gross Weight	9kg (19.84lb)
Dimensions(W x D x H)	630 x 250 x 640 mm

Certifications	CE, FCC Class B Passed 18,cULus Mark/UL+VTC Report+ISO 14971 (CAN/CSA-C22.2No.60601-1-08;ANSI/AAMI ES60601-1:2005, EC 60601-1-1:2005, EN 60601-1:2006 ISO 14971)
----------------	--

17" Atom Dual Core Slim Medical Panel PC

Dimension / Unit: mm



Ordering Information

- » **ONYX-1721DT-A1-1020**
Slim Medical Panel PC, 17" LCD, Intel® D525 1.8GHz, 2GB RAM, DC 12-24V, Smart Card Reader
- » **ONYX-1721DT-A3-1020**
Slim Medical Panel PC, 17" LCD, Intel® D525 1.8GHz, 2GB RAM, DC 12-24V, Smart Card Reader, Slot-in DVD-RW
- » **ONYX-1721DTT-A1-1020**
Slim Medical Panel PC, 17" LCD, Intel® D525 1.8GHz, 2GB RAM, DC 12-24V, Touch Screen, Smart Card Reader
- » **ONYX-1721DTT-A3-1020**
Slim Medical Panel PC, 17" LCD, Intel® D525 1.8GHz, 2GB RAM, DC 12-24V, Touch Screen, Smart Card Reader, Slot-in DVD-RW
- » **ONYX-1721DT-A2-1020**
Slim Medical Panel PC, 17" LCD, Intel® D525 1.8GHz, 2GB RAM, DC 12-24V, Smart Card Reader, Tray-load DVD-RW
- » **ONYX-1721DT-A4-1020**
Slim Medical Panel PC, 17" LCD, Intel® D525 1.8GHz, 2GB RAM, DC 12-24V
- » **ONYX-1721DTT-A2-1020**
Slim Medical Panel PC, 17" LCD, Intel® D525 1.8GHz, 2GB RAM, DC 12-24V, Touch Screen, Smart Card Reader, Tray-load DVD-RW
- » **ONYX-1721DTT-A4-1020**
Slim Medical Panel PC, 17" LCD, Intel® D525 1.8GHz, 2GB RAM, DC 12-24V, Touch Screen

Optional Accessories

- » **TF-PER-M96**
Medical Power Adapter, 70W, 24V
- » **TF-OPM-H02S-A0/A1**
Desktop Stand with VESA 75/100
- » **OPM-CO3W-A0**
Mini Card WLAN Kit, IEEE 802.11b/g/n + Bluetooth 4.0
- » **OPM-C08W-A3**
Mini Card WLAN Kit, IEEE 802.11a/b/g/n