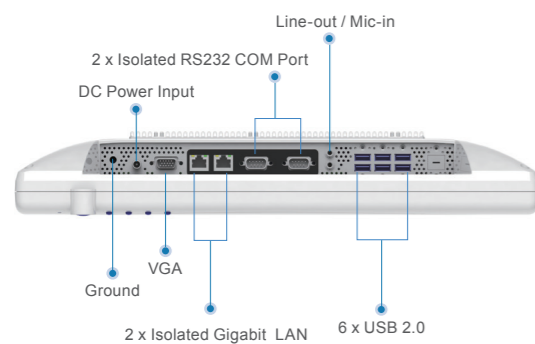
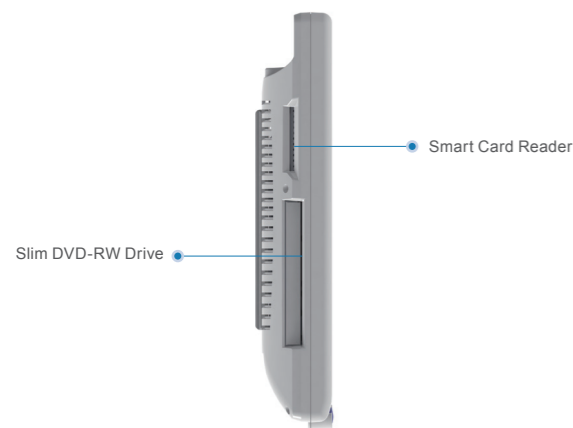


# ONYX-1921

19" Atom Dual Core Slim Medical Panel PC



## Features

- Intel® Atom™ D525 1.8GHz Dual Core Processor
- 19" 350 nits SXGA LCD with LED backlight
- 5-wire Resistive Touch Screen (optional)
- Build-in Smart Card Reader (optional)
- Slim DVD-RW Drive(optional)
- COM / LAN Medical 4KV Isolation
- 802.11 b/g/n Wireless LAN (optional)
- +12V to +24V Wide Range DC input
- CE/FCC Class B, EN/UL60601-1 Medical Certification

## Specifications

### Main Specifications

Processor	Intel® Atom™ D525 1.8GHz Dual Core Processor
System Memory	Supports DDR3 SODIMM up to 4GB
Chipset	ICH8M
OS Support	Windows® XP, Windows® 7, Linux®
Expansion Interface	Mini Card x 2
Storage Disk Drive	2.5" SATA Hard Disk Drive/SSD x 1 Slim DVD-RW Drive x 1(optional)
Security	Smart Card Reader x 1(optional)
Wireless Communication	802.11b/g/n(optional), Bluetooth 4.0 (optional)
Speaker	3W x 2
Power Requirement	DC 12~24V

### Display

Size	19"
Resolution	1280 x 1024
Max. Colors	16.7M
Luminance	350 nits
View Angle	170°(H)/160°(V)
Contrast Ratio	1000:1
Back Light Life Time	50,000 Hours
Touch Screen	5-wire Resistive/ 35 million activities (optional)

### I/O

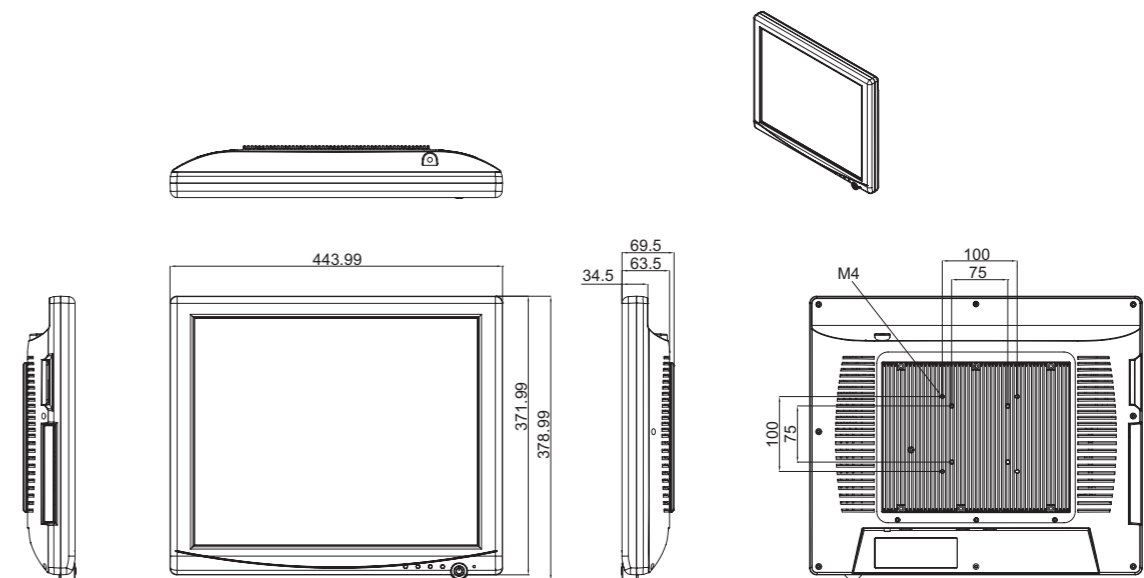
USB	USB 2.0 x 6
Serial Port	4KV Isolated RS-232 x 2
Ethernet	4KV Isolated Gigabit LAN x 2
Video Out	VGA x 1
Audio	Mic-in, Line-out

### Mechanical and Environmental

Power Consumption	Full loading:41 Watts
Operating Temperature	0°C ~ 40°C(32°F ~ 104°F)
Storage Temperature	-20°C ~ 60°C(-4°F ~ 140°F)
Mounting	VESA 75/100 mm
Degree of Protection	IP65 in the front, IPX1
Net Weight	14.3 lb (6.5 kg)
Gross Weight	9.8kg (21.61lb)
Dimensions(W x D x H)	630 x 250 x 640 mm
Certifications	CE, FCC Class B Passed 18, cULus Mark/UL+VTC Report+ISO 14971 (CAN/CSA-C22.2NO.60601-1-08;ANSI/AAMI ES60601-1:2005, EC 60601-1-1:2005, EN 60601-1:2006 ISO 14971)

19" Atom Dual Core Slim Medical Panel PC

## Dimension / Unit: mm



## Ordering Information

- » **ONYX-1921DT-A1-1020**  
Slim Medical Panel PC, 19" LCD, Intel® D525 1.8GHz, 2GB RAM, DC 12-24V, Smart Card Reader
- » **ONYX-1921DT-A3-1020**  
Slim Medical Panel PC, 19" LCD, Intel® D525 1.8GHz, 2GB RAM, DC 12-24V, Smart Card Reader, Slot-in DVD-RW
- » **ONYX-1921DTT-A1-1020**  
Slim Medical Panel PC, 19" LCD, Intel® D525 1.8GHz, 2GB RAM, DC 12-24V, Touch Screen, Smart Card Reader
- » **ONYX-1921DTT-A3-1020**  
Slim Medical Panel PC, 19" LCD, Intel® D525 1.8GHz, 2GB RAM, DC 12-24V, Touch Screen, Smart Card Reader, Slot-in DVD-RW
- » **ONYX-1921DT-A2-1020**  
Slim Medical Panel PC, 19" LCD, Intel® D525 1.8GHz, 2GB RAM, DC 12-24V, Smart Card Reader, Tray-load DVD-RW
- » **ONYX-1921DT-A4-1020**  
Slim Medical Panel PC, 19" LCD, Intel® D525 1.8GHz, 2GB RAM, DC 12-24V
- » **ONYX-1921DTT-A2-1020**  
Slim Medical Panel PC, 19" LCD, Intel® D525 1.8GHz, 2GB RAM, DC 12-24V, Touch Screen, Smart Card Reader, Tray-load DVD-RW
- » **ONYX-1921DTT-A4-1020**  
Slim Medical Panel PC, 19" LCD, Intel® D525 1.8GHz, 2GB RAM, DC 12-24V, Touch Screen

## Optional Accessories

- » **TF-PER-M96**  
Medical Power Adapter, 70W, 24V
- » **OPM-CO3W-A0**  
Mini Card WLAN Kit, IEEE 802.11b/g/n + Bluetooth 4.0
- » **OPM-C08W-A3**  
Mini Card WLAN Kit, IEEE 802.11a/b/g/n
- » **TF-OPM-H02S-A0/A1**  
Desktop Stand with VESA 75/100