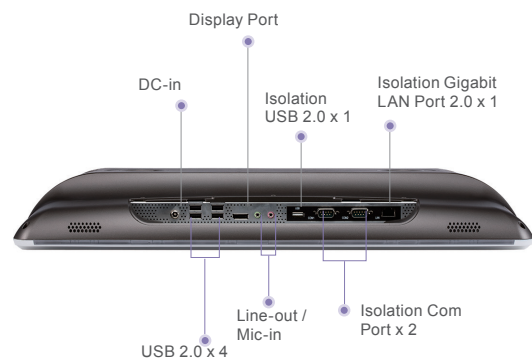
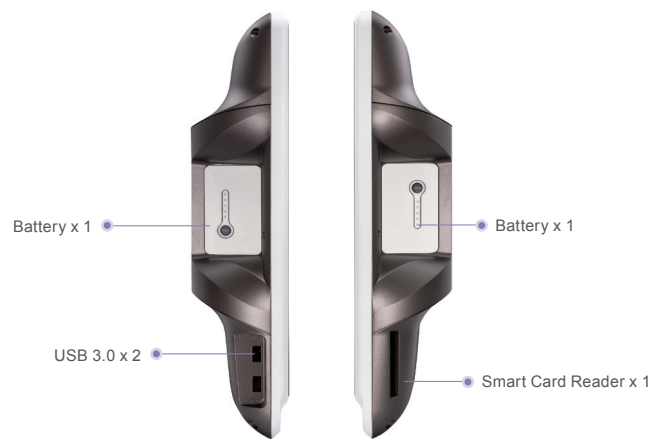


# Mobile Cart Computer Venus-221

22" 24/7 Self-Power Cart Computer



## Features

- Intel® N2800 1.86GHz Dual Core Processor
- Equipped Swappable Batteries x2, support 24hr run-time.
- sBMS Smart Battery Management control tool
- Fully Cable-less, easy deployment
- Aluminum Alloy Rear Cover
- Light weight at 7.5kg/16.5lb, fit all carts
- Reading light bar in front
- 22" Full HD high contrast LCD with LED backlight
- Water-Proof : IP65 Front Panel , Rear- IPX1
- 5 Programmable Smart Function Keys
- USB/COM/LAN Medical 4KV Isolation
- High Speed USB 3.0 Ports

## Specifications

### Main Specifications

Processor	Intel® 1.86GHz N2800 Dual Core
System Memory	Support DDR3 SODIMM up to 4GB
Chipset	NM10
OS Support	Windows® 7 (32 bit)
Storage Disk Driver	2.5 inch SATA2 SSD x 1 (optional)
Security	Smart Card Reader x 1
Wireless Communication	Intel 802.11 a/b/g/n (optional) Blue Tooth (optional) RFID (optional)
Speaker	2W x 2
Function Key	Power On/Off, LCD Brightness Up, LCD Brightness Down, Touch Screen On/Off, Reading Light On/Off

### Display

Size	22 inch
Resolution	1366 x 768
Max. Colors	16.7M
View Angle	178°(H) / 178°(V)
Contrast Ratio	3000:1
Brightness	250nits
Touch Screen	5-Wire Resistive Touch Screen
Sensor	Light Sensor

### I/O

USB	4KV Isolated USB 2.0 x 1 , USB 2.0 x 4, USB 3.0 x 2
COM	4KV Isolated RS-232 x2
Ethernet	4KV Isolated Gigabit LAN x 1
Video Out	Display Port x 1
Audio	Mic-in x 1, Audio-out x 1

### Battery Pack

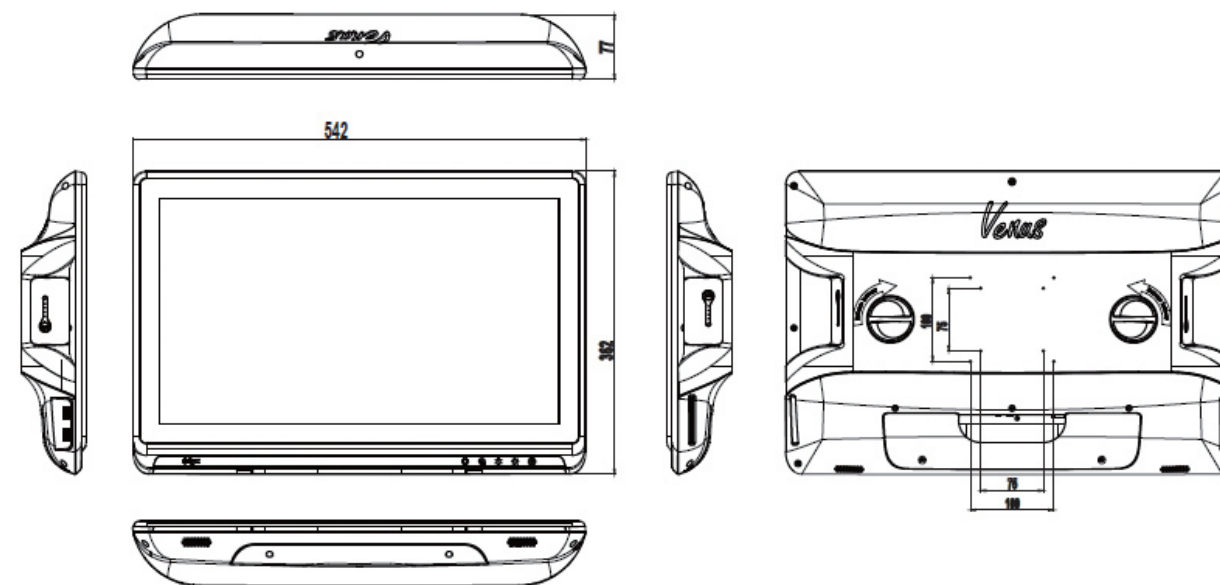
Battery Type	6 Cell Lithium Battery
Battery Capacity	5800 mAh
Battery Output Voltage	10.8V
Battery Charge Time	2 hrs for 85%, 3hrs for 100%
Battery Run time	6hrs *For more details, please see the user guide

### Mechanical and Environmental

Power Consumption	35W (w/o IO and charger)
Operating Temperature	0°C ~ 40°C(32°F ~ 104°F)
Storage Temperature	-20°C ~ 60°C(-4°F ~ 140°F)
Storage Humidity	10%~95% @ 35°C, non-condensing
Degree of Protection	Front IP65, Rear IPX1
System Cooling	Fan-less
Net Weight	7.5kg (16.53lb)
Cross Weight	10.5kg (23.15lb)
Dimensions (W*D*H)	680 x 270 x 530 mm
EMC	CE/FCC Class B, UL-60601-1, EN-60601-1, RCM

22" 24/7 Self-Power Cart Computer

## Dimension / Unit: mm



## Ordering Information

- » VENUS-221ET-A1-1010  
Cart Computer N2800. 22" R-TS. 4 GB. Smart card reader. Battery x 2
- » VENUS-221ET-A2-1010  
Cart Computer N2800. 22" R-TS.4 GB. Smart card reader. INTEL 802.11 a/b/g/n.SSD128G. Battery x 2

## Optional Accessories

- » OPM-P01T-02  
6 Battery Kit.Lithium-ion 3S2P Battery Pack.10.8V/5800mAh
- » 1757615001  
Medical Power Adaptor 150W/24V
- » OPM-S02R-A0  
RFID Reader Kit
- » OPM-C07W-A0  
WLAN dual band module kits. INTEL 802.11a/b/g/n dual antenna
- » OPM-C07W-A1  
WLAN dual band module kits.  
AzureWave 802.11a/b/g/n + BT 4.0
- » OPM-P01C-03  
6-Slot Power bank + Medical adaptor 24V/250W
- » OPM-P01C-02  
2-Slot Power bank + Medical adaptor 24V/150W
- » OPM-H10A-00  
VESA 75/100 Clamp type spring arm (Sliver)