

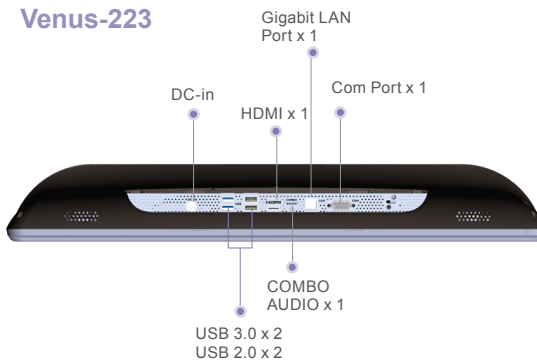
Mobile Cart Computer

Venus-223 / Venus-222

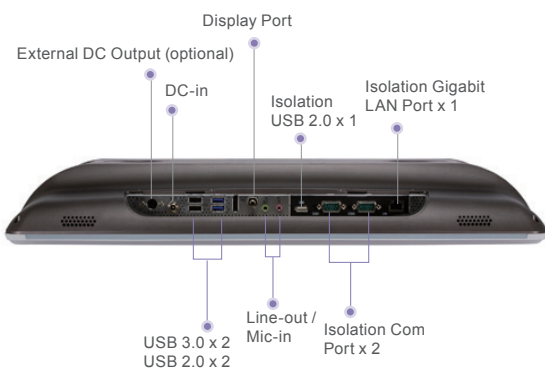
22" 24/7 Self-Power Medical Cart Computer



Venus-223



Venus-222



Features

- Highest level of medical safety protection , EMC4.0/ Safety 3.1
- Cleanability with hospital solvents (front IP65)
- Hot swappable design, support 24/7 run time
- Intel® Skylake Dual-Core i5 / Quad-Core J1900
- Support remote monitor/control/update (ORION compatible)
- Lightweight design
- Front reading light bar

Specifications

Main Specifications

| | Venus-223 | Venus-222 |
|------------------------|--|---|
| Processor | Intel® Skylake Dual-Core i5 | Intel® Quad-Core J1900 |
| System Memory | DDR4 up to 32GB | DDR3L up to 8G |
| OS Support | Microsoft® Windows 7 (32bit/64bit) Microsoft® Windows 8.1 (64bit) Microsoft® Windows 10 (64bit) Ubuntu 14.04 LTS IGEL (thin client solution) | Microsoft® Windows 7 (32bit/64bit) Microsoft® Windows 8.1 (32bit/64bit) Microsoft® Windows 10 (32bit / 64 bit) IGEL (thin client solution) |
| Graphics | Intel® HD Graphics 520 | Intel® HD Graphics |
| Storage | SSD up to 512GB (optional) | |
| Wireless Communication | 802.11 ac/a/b/g/n + BT 4.0 (optional) | |
| Camera | 2MP/5MP camera (optional) | |
| Touch | PCT (optional), R-TS | |
| Speaker | 2W x2 | |
| Security | TPM 2.0 Smart Card Reader, RFID ISO 15693/14443A (optional) | TPM 1.2 |
| Auto Brightness | Light sensor | |

Display

| | |
|-------------------|----------------|
| Display Size | 21.5" VA panel |
| Resolution | 1920 x 1080 |
| Max. Colors | 16.7M |
| Contrast Ratio | 3000:1 |
| Luminance (cd/m2) | 250 |

I/O

| | | |
|-----------|---|---|
| USB | Rear I/O : USB 3.0 x2, USB 2.0 x2 Side I/O : USB 3.0 x2 | Rear I/O : USB 3.0 x2, USB 2.0 x2, Isolated USB x1 Side I/O : USB 3.0 x2 |
| Video Out | HDMI 1.4 x1 | DP x1 |
| COM | COM port x1 | Isolated COM port x2 |
| Audio | Combo audio port x1 | Mic-in x1, Audio-out x1 |
| Security | Kensington slot | N/A |
| Ethernet | Gigabit LAN x1 | |
| DC-in | 24V DC-in x1 | |

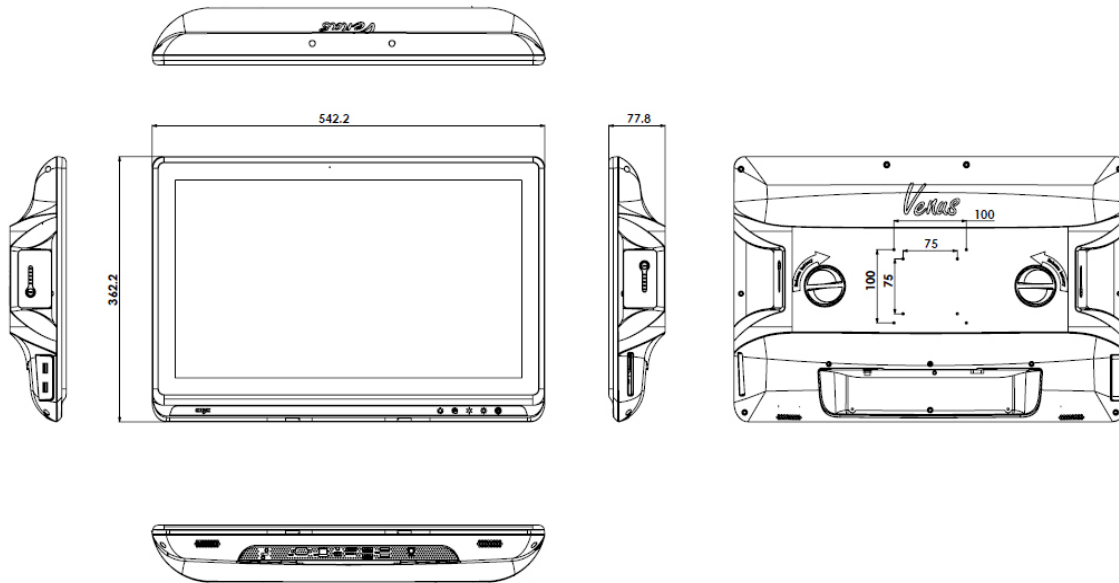
Mechanical and Environmental

| | |
|-----------------------|---|
| VESA | 75/100 mm VESA mount |
| Operating Temperature | 0°C ~ 40°C(32°F ~ 104°F) |
| Storage Temperature | -20°C ~ 60°C(-4°F ~ 140°F) |
| Storage Humidity | 10%~95%@35°C, non-condensing |
| Dimension | 542(L) x 77(W) x 362(H) mm |
| Net Weight | 7kg (15.4 lbs) |
| Packing Size | 680(L) x 270(W) x 530(H) mm |
| Gross Weight | 10.5kg (23.15 lbs) |
| Certifications | CE: EN 60601-1-2:2015(V4.0), EN 60601-1:2006/ A1:2013(V3.1) FCC: Part 18 Class B UL: ANSI/AAMI ES60601-1:2012 (V3.1) cUL: CAN/CSA-C22.2 No. 60601-1:2014 (V3.1) |

ALL PRODUCT, PRODUCT SPECIFICATIONS AND DATA ARE SUBJECT TO CHANGE WITHOUT NOTICE TO IMPROVE RELIABILITY, FUNCTION OR DESIGN OR OTHERWISE.

22" 24/7 Self-Power Cart Computer

Dimension / Unit: mm



Ordering Information

- » VENUS-223ST-A5-1010
Cart Computer.i5 22".Fanless.PCT.4G RAM.SCR.TPM.XL Battery x2
- » VENUS-223ET-A5-1010
Cart Computer.i5 22".Fanless.R-TS.4G RAM.SCR.TPM.XL Battery x2
- » VENUS-222ET-A1-1010
Cart Computer. J1900. 22". Fanless. R-TS. 4GB RAM. SCR. TPM. Battery x2

Optional Accessories

- » 1255301501
Medical Adaptor. 100-240V/1.0-2.5A 24V/6.25A 150W
- » OPM-S02R-A0
RFID Reader Kit
- » OPM-C10W-A0
WLAN dual band module kits. INTEL 802.11ac/a/b/g/n+BT
- » OPM-C07W-A2
WLAN dual band module kits. Atheros 802.11a/b/g/n + BT 4.0
- » UP-L62-A1-1010
6-Slot Charger + adaptor 24V/250W
- » UP-P22-A2-1010
2-Slot Charger + Medical adaptor 24V/150W
- » OPM-V02C-02
2MP Camera Kit
- » OPM-V02C-01
5MP Camera Kit