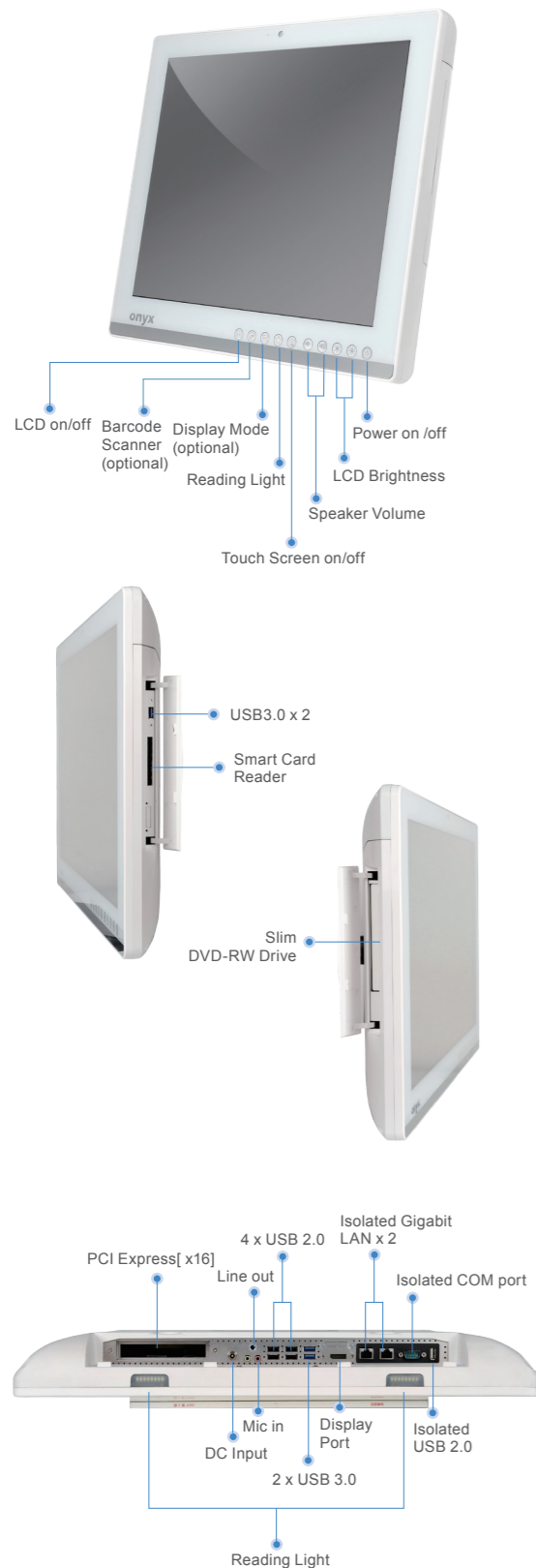


Smart View Medical Station ZEUS-197E

19" Fanless Smart View Core i7 QM77 Medical Station



Features

- Intel® Core™ i7-3555LE Dual Core LV Processor up to 3.1GHz
- Intel® QM77 Chipset
- Supports Dual Channel DDR3 SODIMM up to 16GB
- 19" SXGA LCD with LED Backlight
- 5-Wire Resistive Touch Screen
- 10 Programmable Smart Function Keys
- USB/COM/LAN Medical Isolation
- High Speed USB 3.0 Ports
- PCI Express[x16], Mini Card x 2
- +12V to +24V Wide Range DC Input
- 22Wh Backup Battery (optional)

Specifications

Main Specifications

Processor	Intel® Core i7-3555LE Dual Core up to 3.1GHz Intel® Core i3-3217UE Dual Core 1.6GHz Intel® Celeron 847E Dual Core 1.1GHz
System Memory	Supports Dual Channel DDR3 SODIMM up to 16GB
Chipset	Intel® QM77
Expansion Interface	PCI Express[x16] x 1, Mini Card x 2
Storage Disk Drive	2.5" SATA Hard Disk Drive/SSD x 1 Slim DVD-RW Drive x 1(optional)
Security	Smart Card Reader x 1 (optional), Trusted Platform Module, RFID(optional)
Wireless Communication	802.11b/g/n(optional), Bluetooth 3.0HS & 4.0 (optional)
Speaker	5W x 2
Power Requirement	DC12~24V, 22Wh(14.6V/1500mAh) Back up battery(optional)

Display

Size / Type	19" TN LCD
Max. Resolution	1280 x 1024
Luminance(cd/m2)(TYP)	350 nits
Viewing Angle	170°(H)/160°(V)
Contrast Ratio	1000:1
Touch Screen	5-Wire Resistive

I/O

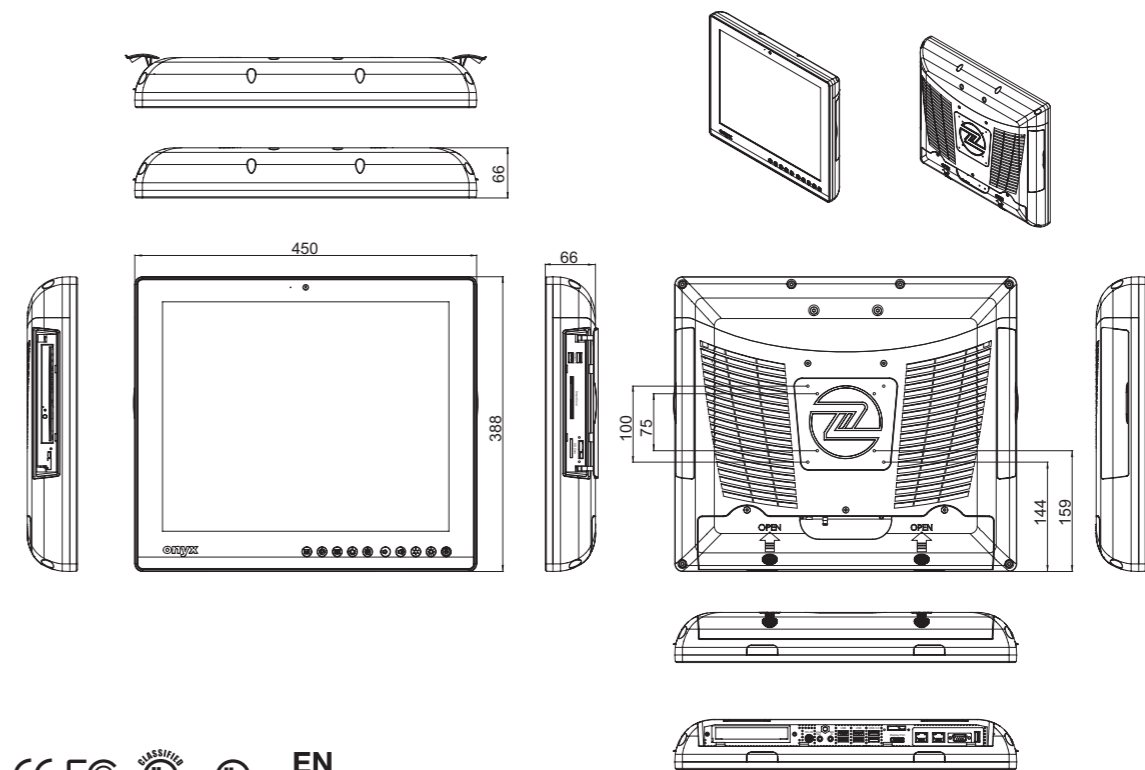
USB	Isolated USB 2.0 x 1, USB 2.0 x 4, USB 3.0 x 4 (two in rear I/O & two in side I/O)
Serial Ports	Isolated RS-232 x 1
Ethernet	Isolated Gigabit LAN x 2
Video Out	Display Port x 1, Support resolution up to 2560 x 1600
Audio	Mic-in, Line-out

Mechanical and Environmental

Power Consumption	Full loading: 60Watts
Operating Temperature	0°C ~ 40°C(32°F ~ 104°F)
Storage Temperature	-20°C ~ 60°C(-4°F ~ 140°F)
Mounting	VESA 75/100 mm
Degree of Protection	IP65 in the front, IPX1
Net Weight	7.5kg (16.5lb)
Gross Weight	11kg (24.25lb)
Dimensions(W x D x H)	640 x 220 x 520 mm
Certifications	CE, FCC Class B Passed 18, cULus Mark/UL+VTC Report+ISO 14971(CAN/CSA-C22.2NO.60601-1-08; ANSI/AAMI ES60601-1:2005, EC 60601-1-1:2005, EN 60601-1:2006 ISO 14971)

19" Fanless Smart View Core i7 QM77 Medical Station

Dimension / Unit: mm



Ordering Information

- » ZEUS-197ET-A1-1020
Medical Station.i7-3555LE.19" TN 350nits LCD.DC 12~24V.Resistive Touch.4GB RAM
- » ZEUS-197ET-A2-1020
Medical Station.i3-3217UE.19" TN 350nits LCD.DC 12~24V.Resistive Touch.4GB RAM
- » ZEUS-197ET-A3-1020
Medical Station.Celeron 847E.19" TN 350nits LCD.DC 12~24V.Resistive Touch.4GB RAM

Optional Accessories

- » 1757213000
Medical Power Adapter, 130W, 24V
- » OPM-C08W-A2
Mini Card WLAN Kit, IEEE 802.11 a/b/g/n
- » OPM-C03W-A2
Mini Card WLAN Kit, IEEE 802.11b/g/n + Bluetooth 3.0HS & 4.0
- » OPM-T003-A3
Slim Slot-in DVD-RW Drive
- » OPM-T006-A1
Smart Card Reader Kit
- » TF-OPM-H01S
Desktop Stand with VESA 75/100, 265-330mm Height
- » OPM-V00T-A0
Color calibrator for DICOM Calibration
- » OPM-S01R-A2
RFID Reader
- » OPM-P03C-A1
22Wh Backup Battery
- » OPM-P03C-A3
Two isolated RS-232
- » OPM-S01B-A2
2D Barcode Scanner
- » OPM-S01O-A2
RFID Reader & 2D Barcode Scanner