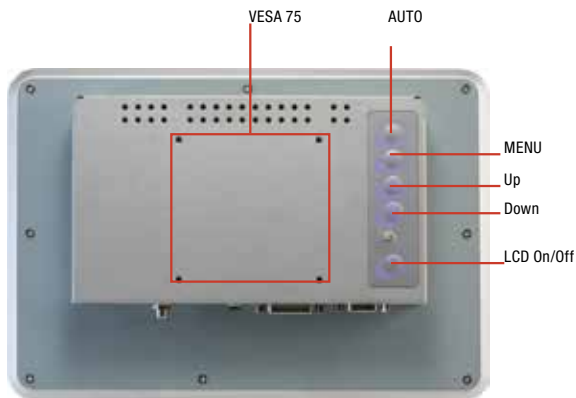


10.1" WXGA Multi Touch Display



Features

- 10.1" WXGA (1280 x 800) TFT LCD Display
- IP65 Aluminum Front Bezel
- Supports P-CAP Touch Screen (Two-point Multi Touch)
- Supports VESA 75/ Panel Mount/ Stand



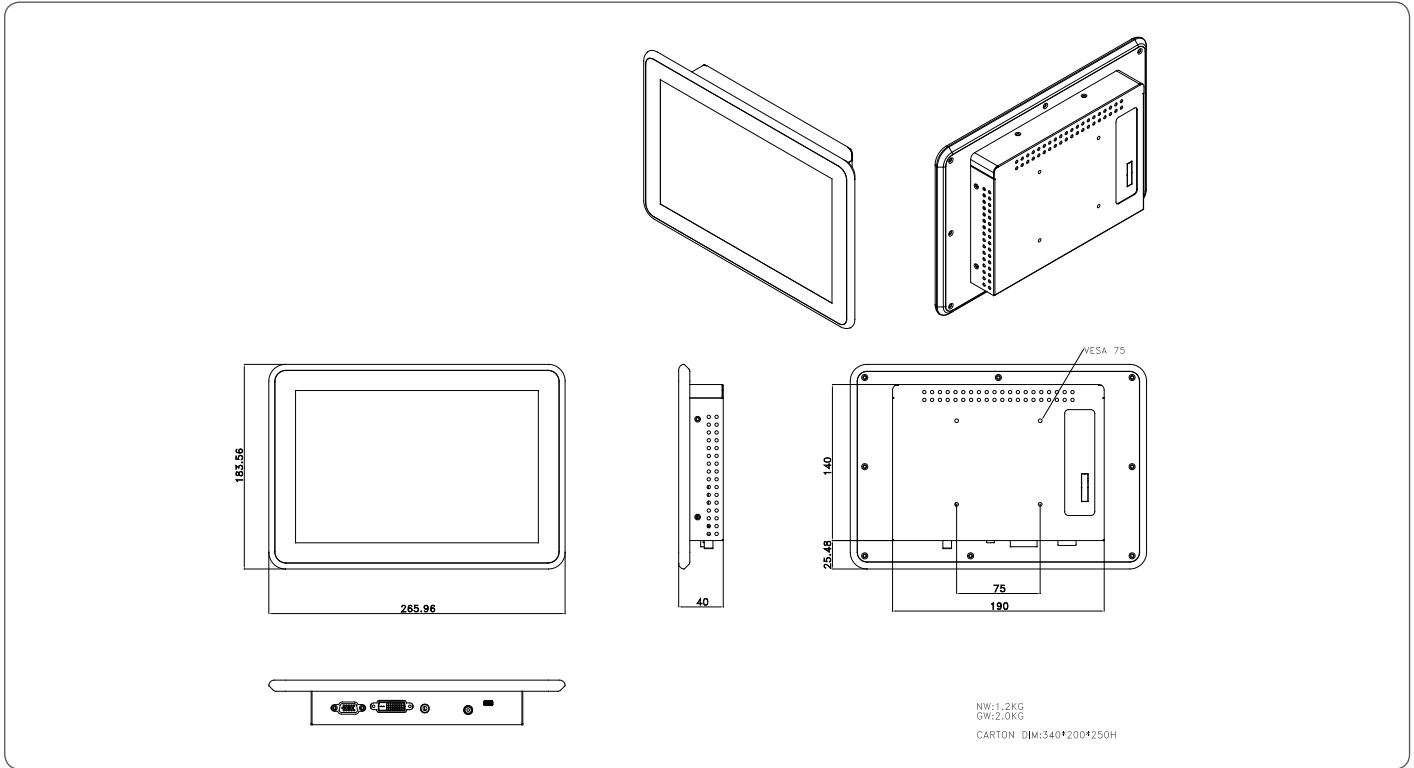
Specifications

| System | |
|---------------------------|--|
| Input Signal | VGA, DVI-D |
| On Screen Display Control | Auto, Menu, Up, Down, LCD On/Off |
| I/O Connector | DB15: VGA x 1 DVI-D x 1 Mini USB x 1 Power input x 1 |
| OS support | Windows® XP 32 bit Windows® 7 32/64 bit Windows® 8 32/64 bit Linux Ubuntu 12.04 |
| Mechanical | |
| Construction | IP65 aluminum front bezel & SGCC chassis |
| Mounting | VESA75/ Panel Mount/ Stand |
| Dimension | 9.97" x 6.72" x 1.57" (265.96mm x 183.56mm x 40mm) |
| Gross Weight | 4.4 lb (2.6 kg) |
| Net Weight | 2.64 lb (1.4 kg) |
| Environmental | |
| Operating Temperature | 32°F ~ 113°F (0°C ~ 45°C) w/o airflow 32°F ~ 122°F (0°C ~ 50°C) w/ airflow |
| Storage Temperature | 14°F ~ 140°F (-10°C ~ 60°C) |
| Storage Humidity | 5%~90% @40°C, non-condensing |
| Vibration | 1 g rms/ 5 ~ 500Hz/ operation – With HDD |
| Shock | 15 G peak acceleration (11 msec. duration) |
| EMC | CE/FCC class A |
| Power Supply | |
| DC input | DC 12V with Lockable Power adapter |
| LCD | |
| Display type | 10.1" TFT LCD |
| Max. Resolution | 1280 x 800 |
| Max. Colors | 262K colors |
| Luminance | 250 cd/m ² |
| Viewing Angle | 160°(H)/ 160°(V) |
| Back Light | LED |
| Back Light MTBF (hours) | 20,000 |
| Touch Screen | |
| Type | Projected Capacitive |
| Light Transmission | >86% |

ACD-110D

Dimension

Unit: mm



Ordering Information

| Part Number | Display Type | Max. Resolution | Luminance | View Angle | Backlight MTBF (Hours) | Display | Mounting | Power | Temp. | Touch |
|---------------------|---------------|-----------------|-----------------------|------------------|------------------------|------------|----------------------------|--------|--|--|
| ACD-110DHTT-A1-1010 | 10.1" TFT-LCD | 1280 x 800 | 250 cd/m ² | 160°(H)/ 160°(V) | 20,000 | VGA, DVI-D | VESA75/ Panel Mount/ Stand | DC 12V | 32°F ~ 113°F (0°C ~ 45°C) with airflow | Projective Capacitive Touch (Two Points) |

Packing List

- **Power Adapter**
- **1709051000**
Mini-USB to USB Type A for Touch Screen
- **1700151860**
VGA Cable, 180 cm
- **Product CD**
- **ACD-110D**

Optional Accessories

- **1702031802**
Power Cord (US)
- **1702031803**
Power Cord (EU)
- **170203180E**
Power Cord (Japan)
- **1700151806**
VGA Cable, 180cm
- **M041073020**
Stand Kit
- **9761110D00**
Panel Mount Kit
- **1709051000**
Mini-USB to USB Type A for Touch Screen
- **M041073000**
VESA Mount Kit