

### Features /

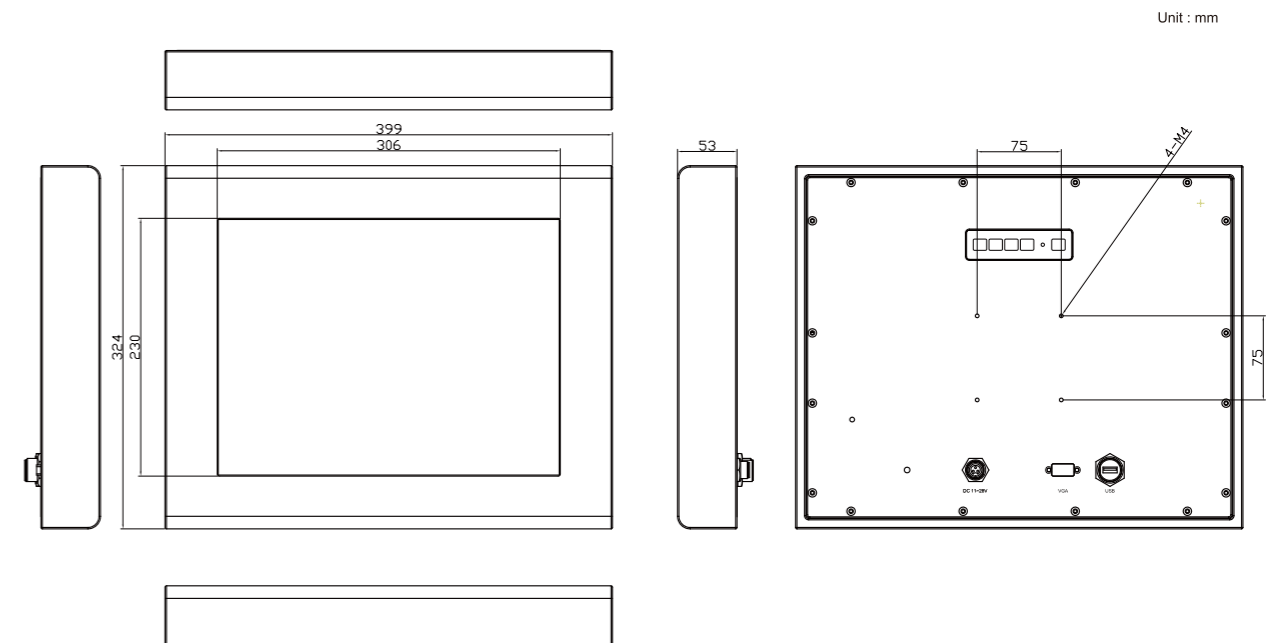
- 15" TFT-LCD with resolution of 1024x768
- Stainless steel enclosure / totally IP 65
- Rear OSD control
- Resistive touch panel option
- DC 11~32V wide-range power input



### Specifications /

LCD	
Display Type	15" TFT-LCD
Max. Resolution	1024 x 768
Max. Colors	16.7M
Luminance (cd/m <sup>2</sup> )	300
Viewing Angle	H:150° / V:140°
Backlight Lifetime	50,000hrs
System	
Input Signal	RGB
On Screen Display Control	On the rear side
External I/O Port	1 x VGA 1 x USB touch 1 x DC (3pin connector)
Power Supply	
Power Input	DC 11~32V
Touch Screen (For option)	
Type	Resistive type
Light Transmission	80%

### Dimension /



Mechanical	
Construction	Stainless steel
IP Rating	Totally IP 65
Mounting	VESA 75x75 Mount
Dimension	399(W)x324(H)x53(D)mm
Net Weight	6.8 kgs
Environmental	
Operating Temperature	0~50 °C
Storage Temperature	-20~60 °C
Storage Humidity	10~90% @40 °C non-condensing
Certificate	Meet CE/FCC Class A
Ordering Information	
ADP-1153	15" Stainless steel enclosure LCD display
ADP-1153T	15" Stainless steel enclosure LCD display with touch screen