



Features

- Solid Aluminum Chassis
- Front Bezel IP65
- VGA and DVI input, RCA for option
- 9~36V DC wide-ranging power input



Specifications

LCD

Display Type	15.6" color TFT LCD
Max. Resolution	1366 x 768
Max. Color	16.7M
Luminance (cd/m ²)	300
View Angle	H:160° / V:160°
Backlight Lifetime	50,000 hrs
Contrast	500:1

I/O Port

VGA	1
DVI	1
RCA	Option
S-Video	None
OSD Control Membrane	On board controller, extendable key pad from connector
Power	1 x 3 pins terminal block power input 9~36V DC
Others	1 x USB for Touch control
	Optional I/O:
	1 x RS-232 DB-9 for Resistive Touch control

Power

Power Input	9~36V DC
Power Consumption	Max: 12.3W (Resistive Touch) Max: 12.8W (Projected Capacitive Touch)

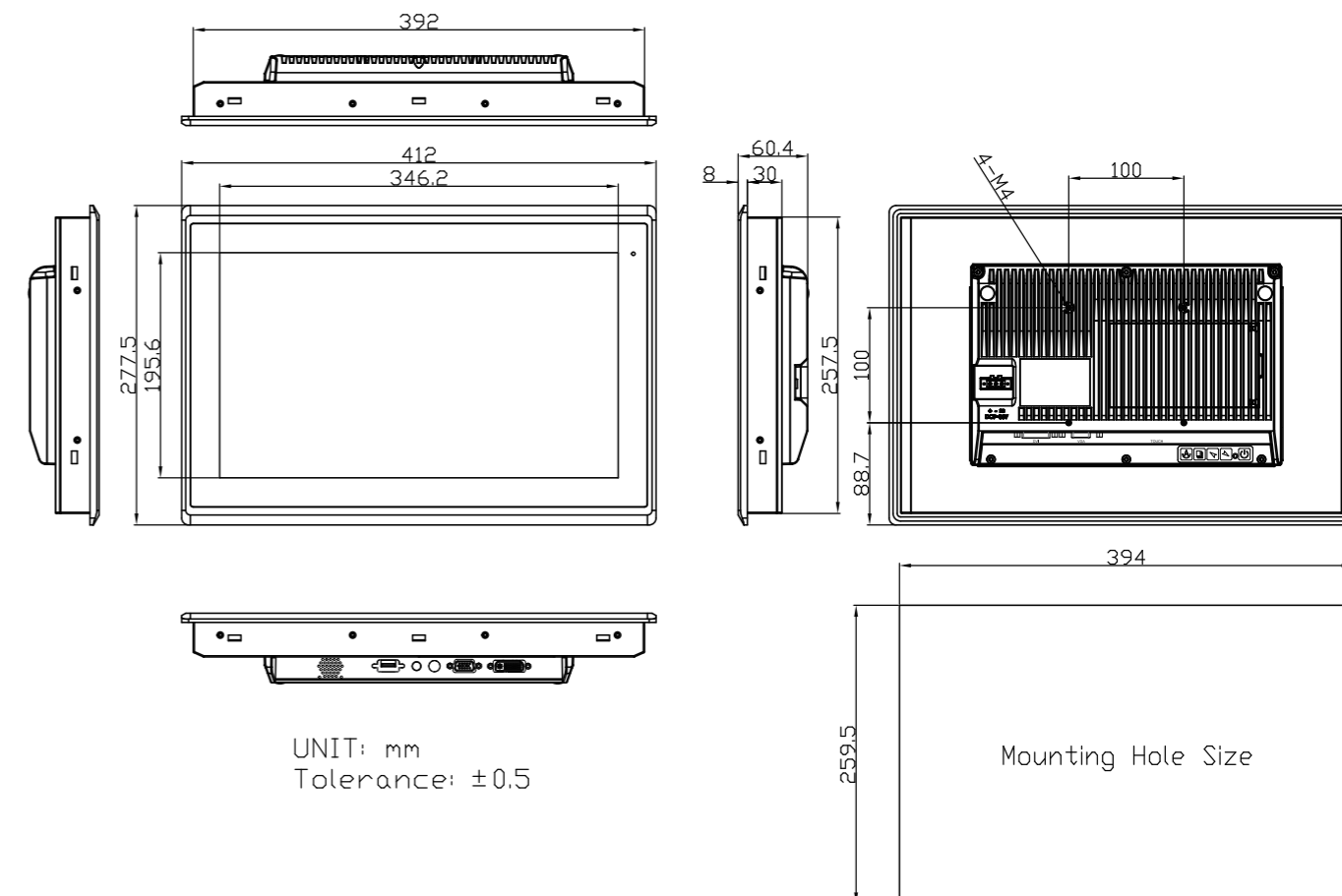
Touch Screen – Resistive Touch Window Type (Default)

TS Control Board	PenMount 6000 on board
Interface	Default USB, RS-232 for option
Light Transmission	Over 80%

Touch Screen – Projected Capacitive Type (Option)

TS Control Board	Chip on tail
Interface	USB
Light Transmission	Over 90%

Dimension



Mechanical

Construction	Aluminum Chassis
Mounting	Panel Mount / VESA Mount 100 x 100
Dimension(mm)	412 x 277.5 x 60.4 mm
Net Weight	4.6 Kg

Environmental

Operating Temperature	0~50 °C
Storage Temperature	-20~60 °C
Storage Humidity	10 to 90% @ 40°C, Non- condensing, without touch screen
IP Ratings	Front Panel IP65
Certificate	CE/FCC Class A

Ordering information

ARCDIS-116-P1	15.6"/1366x768 FPD Industrial display, Resistive touch window (USB), VGA, DVI input, 5 keys Rear OSD, 9~36V DC power input
ARCDIS-116P-P1	15.6"/1366x768 FPD Industrial display, Projected Capacitive Touch(USB), VGA, DVI input, 5 keys Rear OSD, 9~36V DC power input