

Features

- Solid Aluminum Chassis
- Front Bezel IP65
- VGA and DVI input, RCA for option
- 9~36V DC wide-ranging power input

Specifications

IO Port

VGA	1
DVI	1
HDMI	None
DP	None
RCA	Option
OSD Control Membrane	On board controller, extendable key pad from connector
Others	Default I/O: 1 x 3 pins terminal block power input 9~36V DC 1 x USB for Touch control Optional I/O: 1 x RS-232 DB-9 for Resistive Touch control
Power	1 x 3 pins terminal block power input 9~36V DC

Display

Display Type	17" TFT-LCD
Max. Resolution	1280 x 1024
Max. Color	16.2M
Luminance (cd/m ²)	350
View angle(H°/V°)	170 / 160
Contrast	1000 : 1
Backlight Lifetime (Hrs)	30,000 Hrs

Touch Screen – Resistive Touch Window (default)

TS control Board	PenMount 6000 on board
Interface	USB/RS-232
Light Transmission	Over 80%

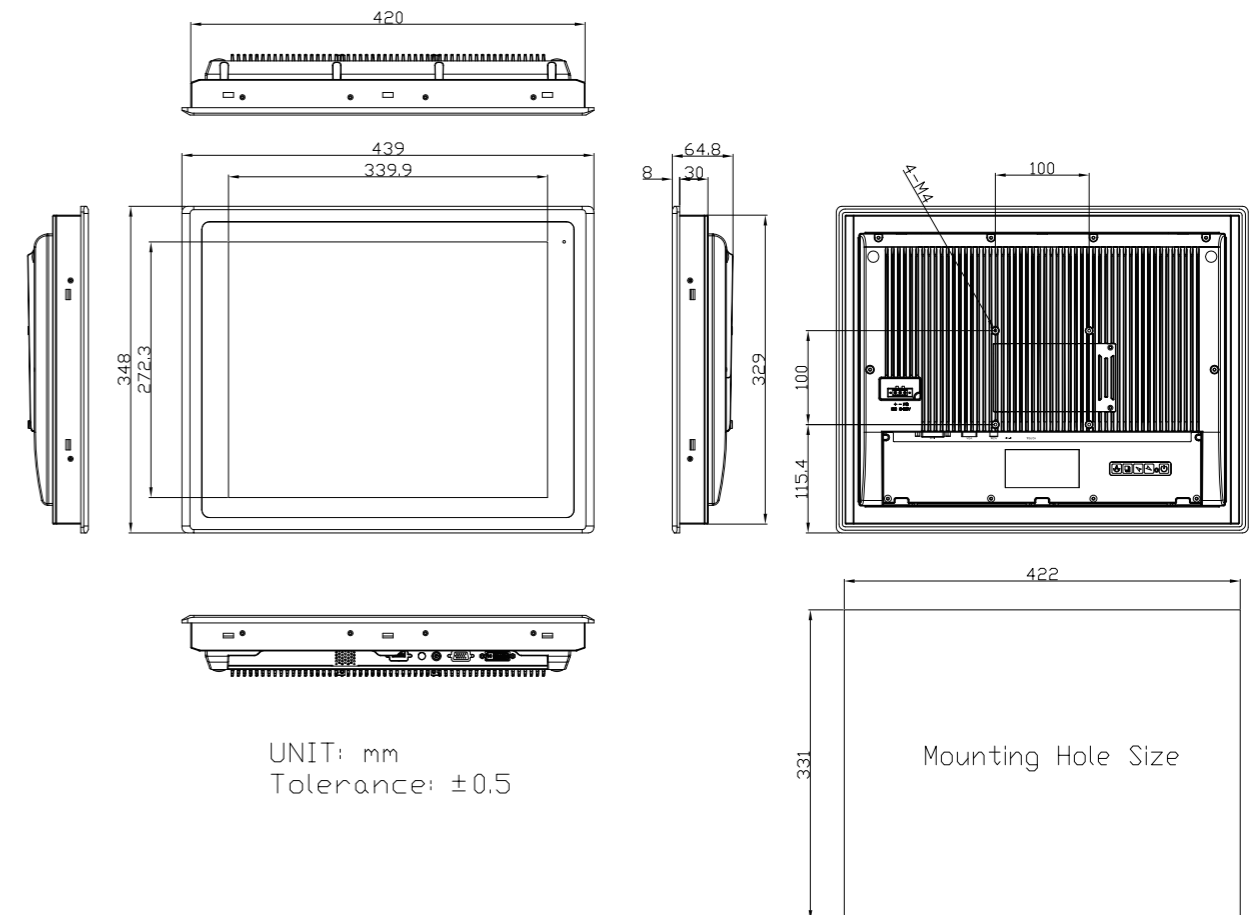
Touch screen – Projected Capacitive Touch (option)

TS control Board	Chip on tail
Interface	USB
Light Transmission	Over 90%

Power

Power Input	9~36V DC
Power Consumption	Max: 14.3W (Resistive Touch) Max: 18.4W (Projected Capacitive Touch)

Dimension



Mechanical

Construction	Aluminum chassis
Mounting	Panel Mount / VESA Mount 100
Dimension (mm)	439 x 348 x 64.8 mm
Net Weight	9.56 Kg

Environmental

Operating temperature(°C)	0°C~50°C
Storage temperature(°C)	-20°C~60°C
Relative Humidity	10~90% @40 °C Non-condensing, without touch screen
Certification	CE/FCC Class A
IP Ratings	Front Panel IP65

Ordering Information

ARCDIS-117-01	17" SXGA FPD Industrial Display, Resistive Touch with USB interface, VGA, DVI input, 5 keys OSD on rear side, 9~36V DC power input
ARCDIS-117P-01	17" SXGA FPD Industrial Display, Projected Capacitive Touch with USB interface VGA, DVI, RCA input, 5 keys OSD on rear side, 9~36V DC power input