

Features

- Solid Aluminum Chassis
- Front Bezel IP65
- VGA and DVI input, RCA for option
- 9~36V DC wide-ranging power input

Specifications

IO Port	
VGA	1
DVI	1
HDMI	None
DP	None
RCA	Option
OSD Control Membrane	On board controller, extendable key pad from connector
Others	1 x USB for Touch control Optional I/O: 1 x RS-232 DB-9 for Resistive Touch control
Power	1 x 3 pins terminal block power input 9~36V DC

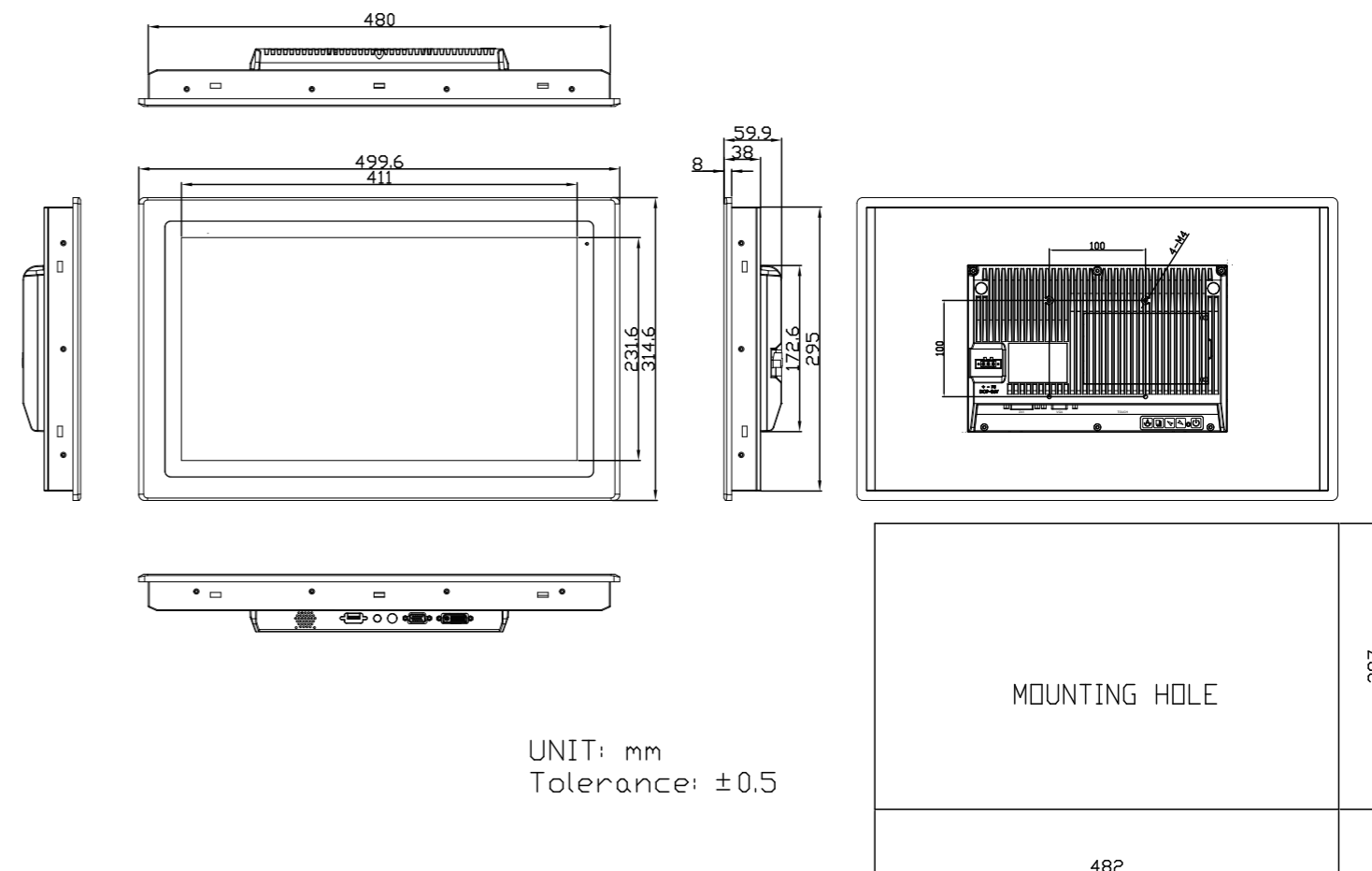
Display	
Display Type	18.5" TFT-LCD
Max. Resolution	1366 x 768
Max. Color	16.7M
Luminance (cd/m ²)	300
View angle(H°/V°)	170 / 160
Contrast	1000 : 1
Backlight Lifetime (Hrs)	50,000 Hrs

Touch Screen – Resistive Touch Window (default)	
TS control Board	PenMount 6000 on board
Interface	USB/RS-232
Light Transmission	Over 80%

Touch screen – Projected Capacitive Touch (option)	
TS control Board	Chip on tail
Interface	USB
Light Transmission	Over 90%

Power	
Power Input	9~36V DC
Power Consumption	Max: 21.7W (Resistive Touch) Max: 24.9W (Projected Capacitive Touch)

Dimension



UNIT: mm
Tolerance: ±0.5

Mechanical	
Construction	Aluminum chassis
Mounting	Panel Mount / VESA Mount 100
Dimension (mm)	499.6 x 314.6 x 59.9 mm
Net Weight	5.9 Kg

Environmental	
Operating temperature(°C)	0°C~50°C
Storage temperature(°C)	-20°C~60°C
Relative Humidity	10~90% @40 °C Non-condensing, without touch screen
Certification	CE/FCC Class A
IP Ratings	Front Panel IP65

Ordering information	
ARCDIS-118-P1	18.5"/1366x768 FPD Industrial display, Resistive touch window (USB), VGA, DVI input, 5 keys Rear OSD, 9~36V DC power input
ARCDIS-118P-P1	18.5"/1366x768 FPD Industrial display, Projected Capacitive Touch(USB), VGA, DVI input, 5 keys Rear OSD, 9~36V DC power input