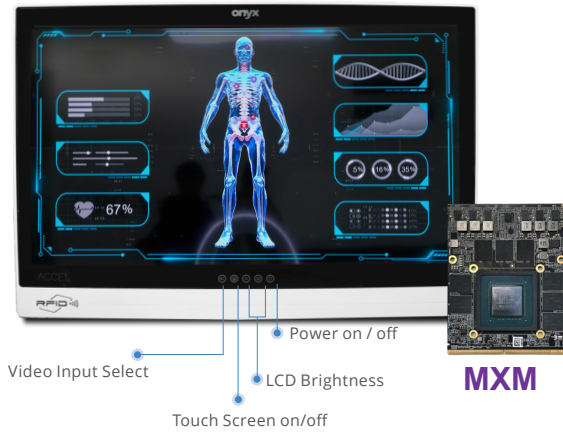


AI Hardware Solution

# ACCEL-A2720

27"4K Medical AI All-in-One PC with 14th Gen Core I CPU and MXM Graphics



## Features

- Intel® 14th generation Core™ i9-14900 Processor
- NVIDIA MXM modules RTX 5000/3500/2000 Ada supported for edge AI applications
- 27" UHD 500-nits display, multi-Touch with front IP65
- 5 Programmable Smart Function Keys with Dual Colors LED Status Indication
- Medical LAN isolation support
- PCI Express[x4] x 1 for video capture card expansion
- Optional Wi-Fi 6E supported and DICOM support

## Specifications

### MAIN SPECIFICATIONS

Processor	Intel® 14th Gen Core i9-14900 65W
Chipset	R680E
System Memory	DDR5 4800 MHz SODIMM x 2, support up to 64GB
Expansion	PCI Express[x4] x1, M.2 2230 (E key) for WiFi x1
Storage Disk Drive	2.5" SATA HDD/SSD x 2, M.2 2280 NVMe SSD x 2
MXM Graphics	NVIDIA RTX 5000/3500/2000 Ada
Security	Trusted Platform Module 2.0,
Wireless Communication	WiFi 6E+Bluetooth 5.3 with M.2 2230 & two dual band antennas
Speaker	5W x 2
Function Key	Power On/Off, LCD Brightness Up/Down, Touch Screen On/Off, Video Input Select Optional physical knob and button / DICOM support
Power Requirement	100-240V AC
OS Support	Windows® 11, Windows® 10, Linux
Accessory (optional)	Handle / Warning light / service door

### DISPLAY

Size	27" LCD
Resolution	3840 x 2160
Luminance	500 nits
View Angle	178°(H)/178°(V)
Contrast Ratio	1000:1
Back Light Life Time	50,000 Hours
Touch Screen	Capacitive Multi-Touch

### I/O

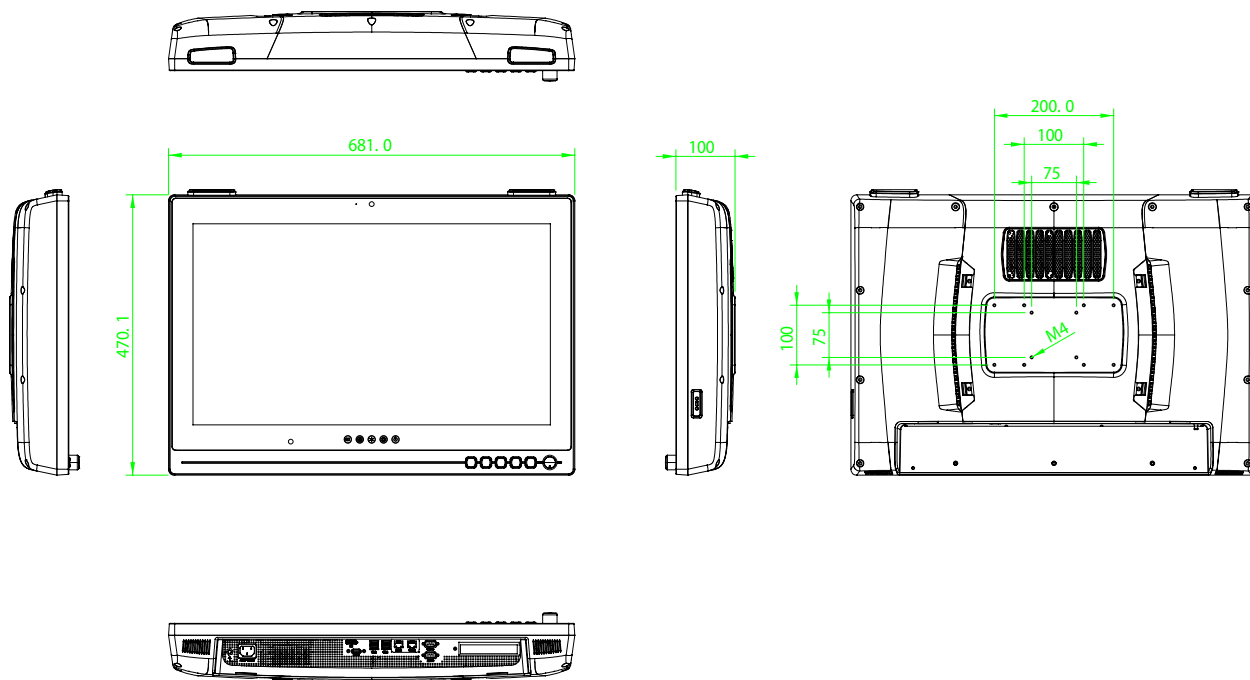
USB	USB 3.2 Gen 2 x 4, USB 3.2 Gen 2x2 Type C x 1 (5V 3A) as side I/O
Serial Port	RS232 x 2
Ethernet	Isolated 2.5 Gigabit LAN x 2
Audio	Mic-in (optional), Line-out (optional)
Video Out	Display Port x1
Video In	HDMI x1

### MECHANICAL AND ENVIRONMENTAL

Power Consumption	TBC
Operating Temperature	0°C ~ 35°C(32°F ~ 95°F)
Storage Temperature	-20°C ~ 60°C(-4°F ~ 140°F)
Mounting	VESA 100mm
Degree of Protection	IP65 in the front, IPX1 in the back
Dimension	681 x 470 x 100 mm
Package Size	TBC
Gross Weight	TBC
Net Weight	11Kg (approx.)
Certifications	CE: EN 60601-1-2:2015(V4.1) FCC: Part 18 Class B UL: ANSI/AAMI ES60601-1:2012 (V3.2) cUL: CAN/CSA-C22.2 No. 60601-1:2014 (V3.2)

## 27"4K Medical AI All-in-One PC with 14th Gen Core I CPU and MXM Graphics

### Dimension / Unit: mm



### Ordering Information

- ACCEL-A2720-P1-A1-0010  
OR Station.i9-14900.27" 4K UHD.System Fan.AC 100~240V.PCT.

### Optional Accessories

- TBD