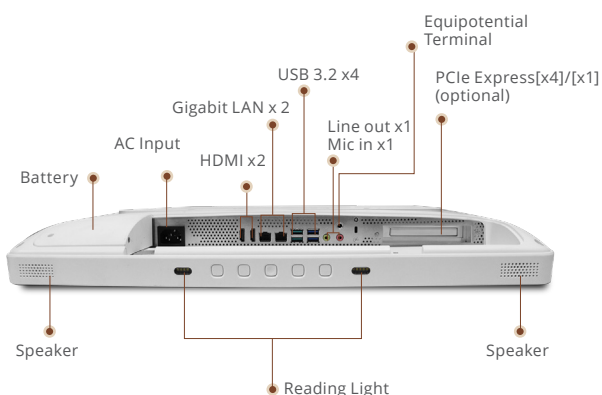
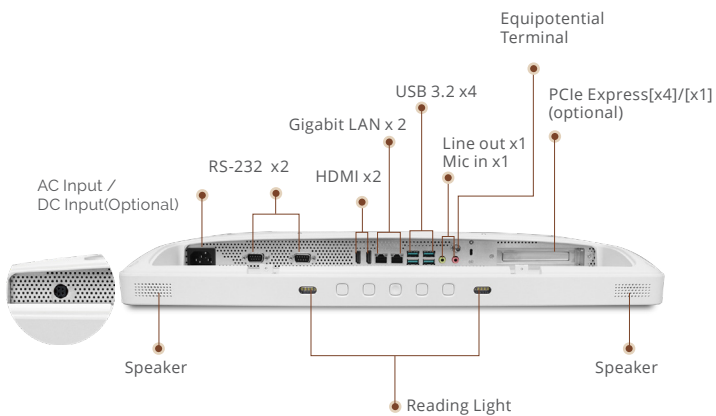


Powerful Medical All in One PC

MATE2-2415

24" Fanless Intel® Core™ Processors Powerful Medical All in One PC



Features

- Intel® Core™ 7,5,3, Processors (code name: Bartlett Lake-S)
- Supports Dual Channel DDR5 5600 SODIMM up to 64GB
- 24" Full HD Wide Viewing Angle LCD
- Capacitive Multi-Touch Screen with AG coating
- Two Gigabit Ethernet
- High Speed USB 3.2 Gen2 Ports
- RS-232 x 2
- 8MP Camera with Mic (optional)
- PCI Express [x4] / [x1] x1 (optional)
- Imprivata RFID Reader (optional)
- Reading Light
- 25W Backup Battery Support (Optional)

Specifications

MAIN SPECIFICATIONS

Processor	Intel® Core™ 7 Processor 251TE 24 Cores 5.4GHz Intel® Core™ 5 Processor 221TE 14 Cores 5.0GHz Intel® Core™ 3 Processor 201TE 4 Cores 4.6GHz
System Memory	Supports Dual Channel DDR5 5600 SODIMM up to 64GB
Expansion Interface	PCI Express[x4]/[x1] x1 (optional)
OS Support	Windows® 10, Windows® 11, Linux®
Storage Disk Drive	M.2 2280 SATA SSD x 1 2.5" SATA Hard Disk Drive/SSD x 1 (optional)
Security	Trusted Platform Module 2.0, Imprivata RFID Reader (optional)
Wireless Communication	802.11 ac/a/b/g/n(optional), 802.11 ax (optional), Bluetooth 5 (optional)
Speaker	2W x 2
Function Key	LCD Brightness Up/Down, Touch Screen On/Off, Reading Light On/Off
Power Requirement	AC 100~240V / DC 12V

DISPLAY

Size	24" LCD
Resolution	1920 x 1080
Luminance	250 nits
View Angle	178°(H)/178°(V)
Contrast Ratio	3000:1
Back Light Life Time	30,000 Hours
Touch Screen	Capacitive Multi-Touch Screen with AG coating

I/O

USB	USB 3.2 Gen 2 x 2 ,USB 3.2 Gen 1 x2
Serial Port	RS-232 x 2 or No RS232 for Battery version
Ethernet	1.5KV Isolated Gigabit LAN x 2
Video Out	HDMI 2.0 x 2 (Supports resolution up to 3840 x 2160)
Audio	Mic-in, Line-out

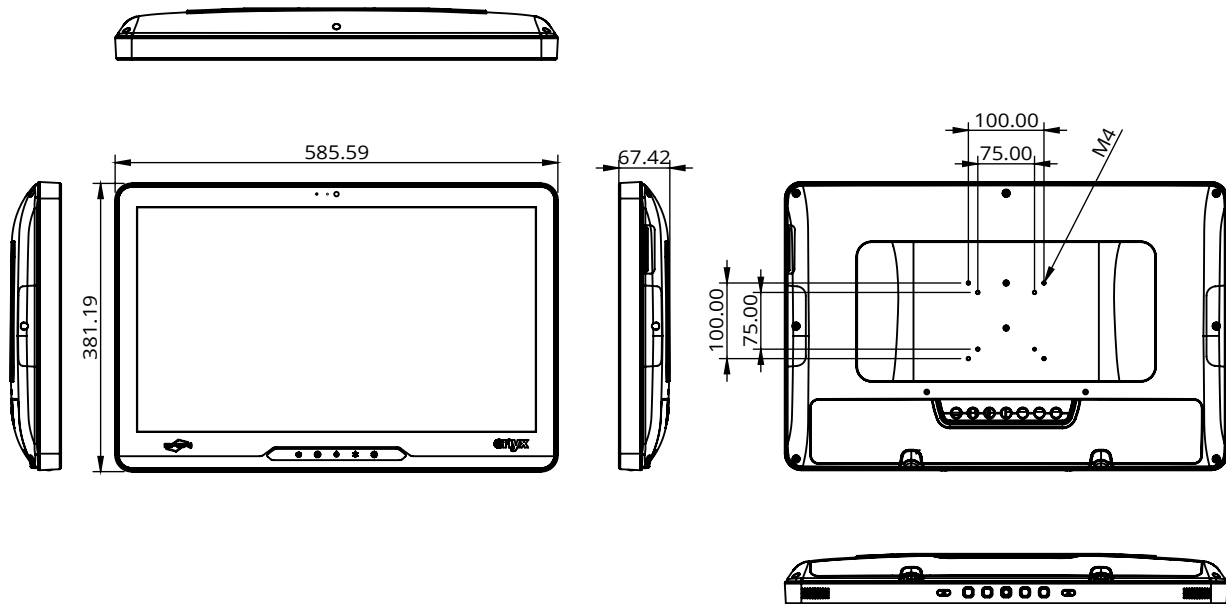
MECHANICAL AND ENVIRONMENTAL

Operating Temperature	0°C ~ 35°C(32°F ~ 95°F)
Storage Temperature	-20°C ~ 60°C(-4°F ~ 140°F)
Mounting VESA	75/100 mm
Degree of Protection	IP65 in the front ; IP54 in the back
Dimension	586 x 381 x 67mm
Package Size	755 x 195 x 528mm
Gross Weight	14 kg (30.86 lb)
Net Weight	8.7 kg(19.2 lb)

Certifications	CE : EN 60601-1-2: 2015 + A1: 2021 (V4.1), EN 60601-1: 2007 + A1:2013 +A2:2021 (V3.2) EN 55032:2015/A1:2020 EN55035:2017/A1:2020(ITE) IEC62368-1:2020+A11:2020 (ITE) EN 300 328 V2.2.2 EN 300 440 V2.2.1 EN 301 893 V2.1.1 EN 303 687 V1.1.1 FCC : Part 15B/ Part 18/ Part 15C/ Part 15E UL : ANSI AAMI E560601-1:2005/A1:2012/A2:2021(V3.2) cUL : CAN/CSA-C22.2 No. 60601-1:14 (IEC 60601-1: 2005+A1:2012+A2:2020,MOD) (V3.2)
----------------	---

24" Fanless Intel® Core™ Processors Powerful Medical All in One PC

Dimension / Unit: mm



Ordering Information

- MATE2-2415-P1-A1-0010
Medical Panel PC, 24" LCD, Capacitive Touch, Core 7-251T E, AC 100~240V
- MATE2-2415-P2-A1-0010
Medical Panel PC, 24" LCD, Capacitive Touch, Core 5-221TE, AC 100~240V
- MATE2-2415-P3-A1-0010
Medical Panel PC, 24" LCD, Capacitive Touch, Core 3-201TE, AC 100~240V
- MATE2-2415-P1-B1-0010
PPC, Core 7-251TE, H610, 24" DC 12V, PCT
- MATE2-2415-P2-B1-0010
PPC, Core 5-221TE, H610, 24" DC 12V, PCT
- MATE2-2415-P3-B1-0010
PPC, Core 3-201TE, H610, 24" DC 12V, PCT

Optional Accessories

- 1255301601
(AOH)(TF) Medical Power Adaptor, AC/DC, 100-240V, 12V, 13.33A, 160W, W/4P DIN, EDAC, EM11701M(08)
- OPM-C20W-A1
WLAN Kit, 802.11ax (Wi-Fi 6E), w/BT 5.3, dual int. antenna, Intel, AX210, NGW, GIE, vPro, for MATE2
- OPM-R03X-A1
PCI Express[x1] Riser Kit
- OPM-R04X-A1
PCI Express[x4] Riser Kit
- OPM-T038-A1
2.5" SSD/HDD Kit
- OPM-C02C-A1
Two Isolated RS-232 & One Isolated USB 2.0 Full Speed PCIe Card
- OPM-C02C-A2
Two Isolated RS-232 PCIe Card
- OPM-V06C-A2
8MP Camera with Mic Kit, for MATE2-xx12